

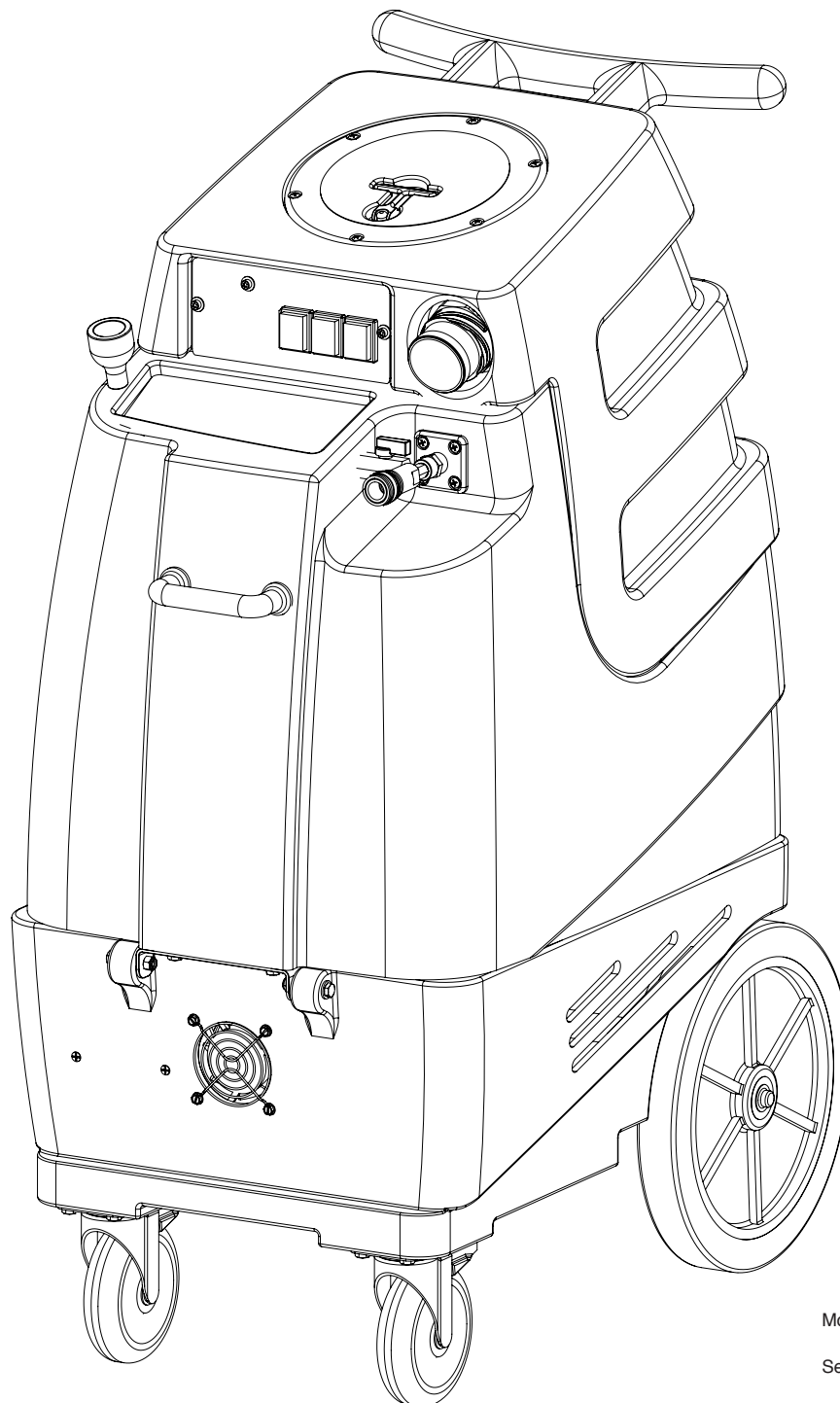
# Instructions for 1000DX-200, 1001DX-200, 1003DX, 1005DX Speedster®



Please read before use.



Register your product  
at <http://www.mytee.com/support/register>



[General Information p.2](#)  
[1000DX-200 p.5](#)  
[1001DX-200 p.11](#)  
[1003DX p.17](#)  
[1005DX p.23](#)

Model # \_\_\_\_\_

Serial # \_\_\_\_\_

Form # ADP-Speedster

6-16

# GENERAL INFORMATION

## Dear Customer:

Congratulations on the purchase of your new Speedster® Extractor. As you are already aware, the scene of the equipment world is becoming more high tech, and we at Mytee Products Inc. strive to keep you on the cutting edge with superior quality and technology.

Keep in mind that the Speedster® Extractor is a machine, so neglect or abuse will cause unnecessary damage and void the warranty. However with simple maintenance the Speedster® will give quality performance for many years to come.

If warranty questions arise, please consult user manual or get in touch with your distributor. If you have questions about maintenance, replacing parts or ordering parts, please call an authorized Mytee Products Inc. Service Center. To see an updated list, visit our website at [www.mytee.com](http://www.mytee.com)

Before you begin using, please read your manual thoroughly.

Sincerely,  
Mytee Customer Care Dept.

## Grounding Instructions

This machine must be grounded. If it should malfunction or breakdown, grounding provides a path of least resistance for electrical shock. This machine is equipped with a cord having an equipment-grounding conductor and grounding plug. The plug must be plugged into an appropriate outlet that is properly installed in accordance with all local code and ordinances. Do not remove ground pin; if missing, replace plug before use.



### DANGER

Improper connection of the equipment-grounding conductor can result in a risk of electric shock. Check with a qualified electrician or service person if you are in doubt as to whether the outlet is properly grounded. Do not modify the plug provided with the machine. If it will not fit the outlet, have a proper outlet installed by a qualified electrician.

This appliance is for use on a nominal 120-volt circuit, and has a grounding plug that looks like the plug illustrated in Figure 1 below. A temporary adapter illustrated in Figures 2 and 3 may be used—to connect this plug to a 2-pole receptacle as shown in Figure 2 if a properly grounded outlet is not available. The temporary adapter should be used only until a properly grounded outlet (Figure 1) can be installed by a qualified electrician. The green colored rigid ear, tab or the like extending from the adapter must be connected to a permanent ground such as a properly grounded outlet box cover. Whenever the adapter is used, it must be held in place by a metal screw. Grounding adapters are not approved for use in Canada.

Replace the plug if the grounding pin is damaged or broken.

The Green (or GreenYellow) wire in the cord is the grounding wire. When replacing a plug, this wire must be attached to the grounding pin only.

DO NOT use extension cords.

### Please Note for America use only

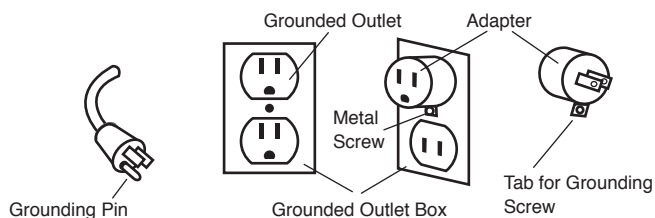


Figure 1

Figure 2

Figure 3

## Parts and Service

Repairs, when required, should be performed by Mytee service personnel or Mytee authorized Service Center using Mytee original replacement parts and accessories. Call Mytee for repair parts or service. Please

specify the Model and Serial Number when discussing your machine.

## Name Plate

The Model and Serial Number of your machine are shown on the name plate located on the inside of the machine. This information is needed when ordering repair parts for the machine. Use the space provided on the front cover to note the Model and Serial Number of your machine for future reference.

## Unpacking the Machine

When the machine is delivered, carefully inspect the shipping carton and the machine for damage. If damage is evident, save the shipping carton so that it can be inspected by the carrier that delivered it. Contact the carrier immediately to file a freight damage claim.

## Caution and Warnings

### Symbols

Mytee uses the symbols below to signal potentially dangerous conditions. Always read this information carefully and take the necessary steps to protect personnel and property.



### DANGER

Is used to warn of immediate hazards that will cause severe personal injury or death.



### WARNING

Is used to call attention to a situation that could cause severe personal injury.



### CAUTION

Is used to call attention to a situation that could cause minor personal injury or damage to the machine or other property. When using an electrical appliance, basic precautions should always be followed, including the following: Read all instructions before using this machine. This product is intended for commercial use only.



### WARNING

To reduce the risk of fire, electrical shock, or injury:

1. Read all instructions before using equipment.
2. Use only as described in this manual. Use only manufacturer's recommended attachments.
3. Always unplug power cord from electrical outlet before attempting any adjustments or repairs.
4. Do not unplug by pulling on cord. To unplug, grasp the plug, not the cord.
5. Do not pull or carry by cord. Do not close a door on cord or pull cord around sharp edges or corners.
6. Do not run appliance over cord. Keep cord away from heated surfaces.
7. Do not use with damaged cord or plug. If cord is damaged, repair immediately.
8. Do not use outdoors or on wet surfaces and or standing water.
9. Always unplug or disconnect the appliance from power supply when not in use.
10. Do not allow to be used as a toy. Close attention is necessary when used by or near children.
11. Do not use in areas where flammable or combustible material may be present.
12. Do not leave the unit exposed to harsh weather elements. Temperatures below freezing may damage components and void warranty.
13. Use only the appropriate handles to move and lift unit. Do not use any other parts of this machine for this purpose.
14. Keep hair, loose clothing, fingers, and all parts of the body away from all openings and moving parts.
15. Use extra care when using on stairs.
16. To reduce the risk of fire or electric shock, do not use this machine with a solid-state speed control device.

# GENERAL INFORMATION

17. The voltage and frequency indicated on the name plate must correspond to the wall receptacle supply voltage.
18. When cleaning and servicing the machine, local or national regulations may apply to the safe disposal of liquids which may contain: chemicals, grease, oil, acid, alkalines, or other dangerous liquids.
19. Do not leave operating unattended.

## Preparation

1. Remove furniture and other items from the area you are going to clean.
2. Vacuum carpet and upholstery, and remove debris.
3. Protect cabinets, walls and painted surfaces with drop cloths or plastic.
4. Inspect power cords for damages.

## Operating Instructions

1. Fill the solution tank.
2. Attach one end of a solution hose to a wand or other tool, the other end to the Speedster's® front quick disconnect.
3. Attach one end of a vacuum hose to the tool, the other end to the Speedster's® Cuff-Lynx™ vacuum hose port.
4. Plug in power cords.

• **1000DX-200 models** – Plug single cord into single, 20A grounded wall outlet.

• **1001DX-200 models** – Using two separate circuits/breakers, plug the left power cord into 20A grounded wall outlet to turn on Vac 2 and Heater 2. Plug the right power cord into separate 20A grounded wall outlet to turn on Vac 1, Heater 1 and Pump.

• **1003DX models** – Using two separate circuits/breakers, plug the left power cord into 20A grounded wall outlet to turn on Vac 2 and Heater 2. Plug the right power cord into separate 20A grounded wall outlet to turn on Vac 1, Heater 1 and Pump.

• **1005DX models** – Using two separate circuits/breakers, plug the left power cord into 20A grounded wall outlet to turn on Vac 2. Plug the right power cord into separate 20A grounded wall outlet to turn on Vac 1 and Pump.

The amber light indicator on the switch plate will illuminate brightly when cords are plugged into two separate circuits. Do not use extension cords longer than 50 feet.

5. Turn on switches.
- 1000DX-200, 1005DX models – Turn on Vac 1, Vac 2 and Pump switches.

• 1001DX-200 and 1003DX – Turn on Vac 1, Vac 2 and Pump switches. Turn on Heater switch if heat is being used. Wait several minutes for water to heat. Heater switch has three positions: Off (middle); 1,000 watts using one heater (left); and 2,000 watts using two heaters (right). Red lights on panel display indicate watts selected: one light = 1,000 watts; two lights = 2,000 watts; no lights = heaters are off.

6. 1003DX and 1005DX models – Prime Valve and Pressure Regulator are located on the lower front of the extractor. To prime the pump, turn the valve to the Prime position for 30 seconds, then turn horizontally to the Run position. Turn the Pressure Regulator to the left to decrease the water pressure. Turn to the right to increase water pressure. Level will be visible on the pressure gauge. Monitor while adjusting, using Pressure Gauge on Switch Panel.

7. Begin cleaning. Make two dry passes to every wet pass. Work away from cords to avoid damage. To clean heavily soiled areas, repeat cleaning from a different direction.
8. Use a foam control solution in the recovery tank to prevent motor damage and check for foam build-up in recovery and solution tanks.
9. Empty the recovery tank whenever you need to refill the solution tank. Attach the 45° drain elbow to the drain spout in back. Lift up the dump valve and empty tank.
10. To relieve water pressure from the solution hose before disconnecting it, squeeze the tool's trigger five seconds after turning the power switches off.

11. Once machine is off, unplug power cords. Remove solution and vacuum hoses. Empty the recovery tank.

12. 1003DX and 1005DX models – Water remaining in the solution tank can be emptied by turning the Prime Valve to the right to move water into the recovery tank. Empty recovery tank.

**Please note: Your pump features a pressure switch, to protect vital components. A minimum spray jet size of 02 needed for use with this pump. Using a jet size smaller than this can cause back-pressure to the pump, leading to an over-heat condition. Make sure that your tool has a jet size of 02 or larger prior to use.**

## After Use

1. Before storing machine, drain, rinse and dry tanks and vacuum hose of water and solution.
2. Store in a dry area in the upright position.
3. Open recover tank cover to promote air circulation.
4. Store indoors in a dry area. If storing in freezing temperatures, make sure the machine and solution system are completely drained and dry.

## Maintenance Schedule

Latches are located in back to open tank for internal maintenance. To keep machine in good working condition, follow machine's daily and weekly maintenance procedures. Check valves and relief valves should be replaced annually.

Maintenance item	Daily	Once a week
Clean and inspect tanks.	x	
Clean and inspect hoses.	x	
Check and clean internal filters by twisting off, rinsing with clean water and replacing.	x	
Check power supply cable.	x	
Clean machine with all-purpose cleaner and cloth.	x	
Check spray nozzles.	x	
Flush solution system with Mytee® System Maintainer.		x
Remove and float shut-off screen from tank and clean. Simply pull off.		x
Inspect vacuum hoses for holes and loose cuffs.		x
Inspect spray pattern for clogging. If clogged, remove spray tips and soak them in a recommended liquid neutralizer for up to six hours. To remove spray tip, twist spray tip body counter-clockwise.		x
Lubricate wheels with water resistant oil.		x
Inspect machine for water leaks and loose hardware.		x

## Troubleshooting

### There is no power.

1. Plug machine in proper outlet.
2. If using two cords, make sure each is plugged into a separate circuit.
3. Check circuit breaker. Reset circuit breaker, other items should not run on the same circuit as the machine. Outlet must be a 20-amp circuit.

### Pump does not work properly

1. Snap quick disconnects firmly together.
2. Check solution tank; may be empty.
3. Jets clogged, remove jet and flush clean.
4. Filters clogged, remove filters and rinse clean with water.
5. Heater is blocked; flush out with Mytee's® System Maintainer.
6. If brass check valve is stuck, replace valve.
7. Check pump wire. May need to reconnect wire.
8. Switch plate may need to be replaced.
9. If pump motor brushes are worn, replace pump.

**\*A minimum spray jet size of 02 needed for use with this pump.**

### 1001DX-200 or 1003DX heater does not work properly

1. If sensor mounted on the heater has popped, reset sensor by pushing in button.
2. Heating element may need to be replaced.

### Vacuum motor does not work properly

1. Check that hose is tightly connected.
2. Close drain hose valve completely.
3. Secure the vacuum tank tightly.

# GENERAL INFORMATION

- If water is coming out of the vacuum motor, use a low foaming detergent.
- Clean upholstery tool or floor wand jets.

## 1000DX-200 Specifications

<b>Solution Tank</b>	10 gallons
<b>Recovery Tank</b>	9 gallons
<b>Vacuum</b>	Dual 3-stage low amp
<b>CFM</b>	200
<b>Water Lift</b>	130"
<b>Pump PSI</b>	220
<b>Pump GPM</b>	1.35
<b>Power Consumption</b>	20 amps @ 115V 60Hz
<b>Machine Weight</b>	87 lbs.
<b>Machine Dimensions</b>	28" x 18.5" x 39"
<b>Power Cord</b>	50' 12/3 extension cord

## 1000DX-200 230V Configuration Information

<b>Model Number</b>	1000DX-200-230
<b>Power Consumption</b>	10 amps @ 230V 60Hz/50Hz

## 1001DX-200 Specifications

<b>Solution Tank</b>	10 gallons
<b>Recovery Tank</b>	9 gallons
<b>Vacuum</b>	Dual 3-stage low amp
<b>CFM</b>	200
<b>Water Lift</b>	130"
<b>Pump PSI</b>	220
<b>Pump GPM</b>	1.35
<b>Heater</b>	2,000W - 210° max.
<b>Power Consumption</b>	Cord 1: 20 amps @ 115V 60Hz Cord 2: 18 amps @ 115V 60Hz
<b>Machine Weight</b>	120 lbs.
<b>Machine Dimensions</b>	28" x 18.5" x 39"
<b>Power Cord</b>	Dual 50' 12/3 extension cords

## 1001DX-200 230V Configuration Information

<b>Model Number</b>	1001DX-200-230
<b>Power Consumption</b>	Cord 1: 9 amps @ 230V 60Hz/50Hz Cord 2: 8 amps @ 230V 60Hz/50Hz

## 1003DX Specifications

<b>Solution Tank</b>	10 gallons
<b>Recovery Tank</b>	9 gallons
<b>Vacuum</b>	Dual 3-stage low amp
<b>CFM</b>	200
<b>Water Lift</b>	130"
<b>Pump PSI</b>	0-500
<b>Pump GPM</b>	1.5
<b>Heater</b>	1,600W - 210° max.
<b>Power Consumption</b>	Cord 1: 20 amps @ 115V 60Hz Cord 2: 20 amps @ 115V 60Hz
<b>Machine Weight</b>	127 lbs.

<b>Machine Dimensions</b>	28" x 18.5" x 39"
<b>Power Cord</b>	Dual 50' 12/3 extension cords

## 1003DX 230V Configuration Information

<b>Model Number</b>	1003DX-230
<b>Power Consumption</b>	Cord 1: 12 amps @ 230V 60Hz/50Hz Cord 2: 10 amps @ 230V 60Hz/50Hz

## 1005DX Specifications

<b>Solution Tank</b>	10 gallons
<b>Recovery Tank</b>	9 gallons
<b>Vacuum</b>	Dual 3-stage high performance
<b>CFM</b>	230
<b>Water Lift</b>	144"
<b>Pump PSI</b>	0-500
<b>Pump GPM</b>	1.5
<b>Power Consumption</b>	Cord 1: 20 amps @ 115V 60Hz Cord 2: 14 amps @ 115V 60Hz
<b>Machine Weight</b>	115 lbs.
<b>Machine Dimensions</b>	28" x 18.5" x 39"
<b>Power Cord</b>	Dual 50' 12/3 extension cords

## 1005DX 230V Configuration Information

<b>Model Number</b>	1005DX-230
<b>Power Consumption</b>	Cord 1: 10 amps @ 230V 60Hz/50Hz Cord 2: 7 amps @ 230V 60Hz/50Hz

## FAQs

Q: What comes standard with Speedster® extractors?

A: Hose hanger with four screws, H141 Cuff-Lynx™ Reducer, H110 Cuff-Lynx™ Coupler Swivel, and 45° drain elbow.

Q: Does Mytee® recommend tools for this machine?

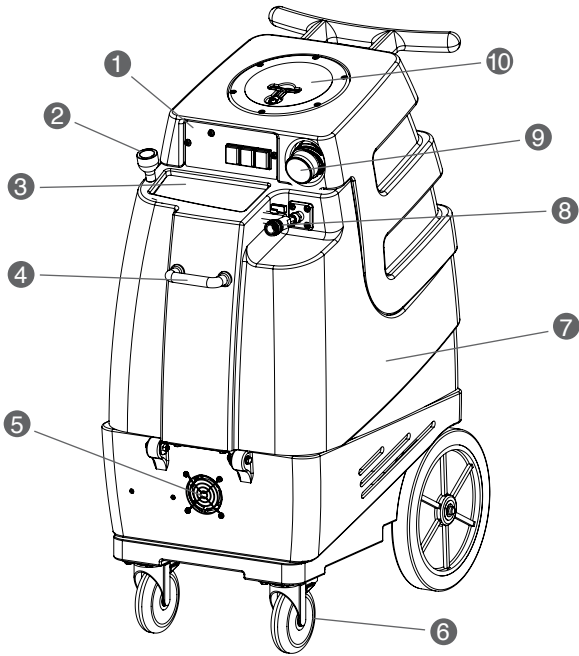
A: All upholstery tools and wands can be used with the Speedster® series.

Q: Is there anything I can do to increase the expected life of my machine?

A: Running the vacuum motors with the tank empty and lid off will allow excess moisture in the vacs to dry off. You should also run Mytee's® System Maintainer through the system to keep the hoses, pump, and heater clean and free of debris.

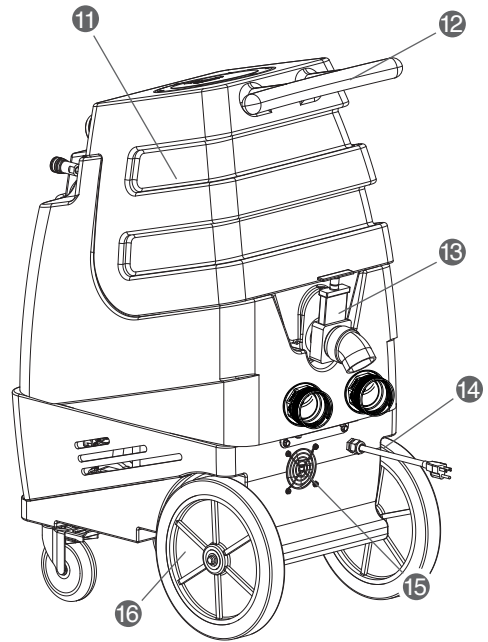
# 1000DX-200 SPEEDSTER

## 1000DX-200 SPEEDSTER® FRONT



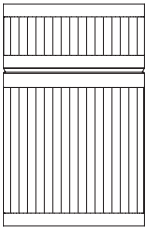
- |                      |                            |
|----------------------|----------------------------|
| 1. Switch plate      | 6. 5" locking casters      |
| 2. Easy faucet fill  | 7. Solution tank           |
| 3. Solution tank lid | 8. Female quick disconnect |
| 4. Front handle      | 9. 2" Male Cuff-Lynx™      |
| 5. Front vent        | 10. Recovery lid           |

## 1000DX-200 SPEEDSTER® BACK

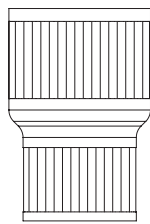


- |                   |                     |
|-------------------|---------------------|
| 11. Recovery tank | 16. 12" Rear wheels |
| 12. Push handle   |                     |
| 13. Drain valve   |                     |
| 14. Power cord    |                     |
| 15. Back vent     |                     |

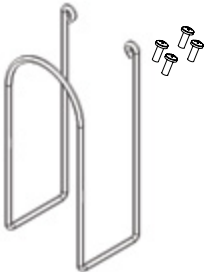
## ITEMS INCLUDED



H110 Cuff-Lynx™  
2" Hose Adapter



H141 Cuff-Lynx™  
2" Hose Reducer to 1.5"

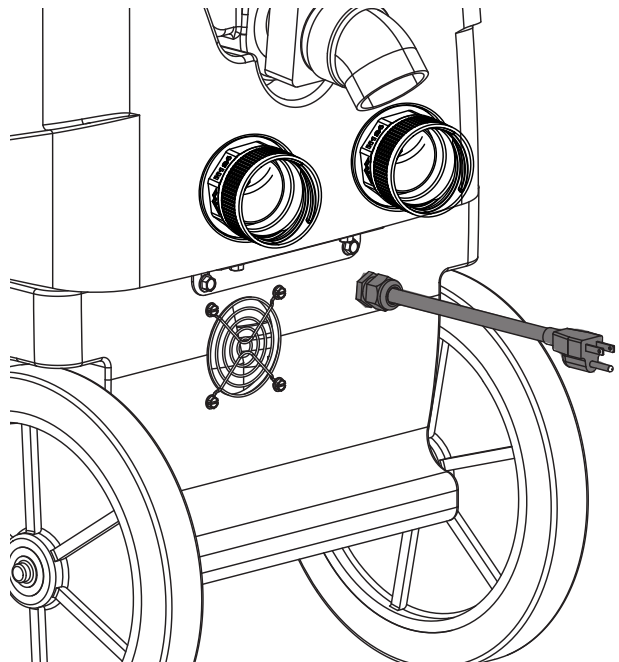


H375- Hose Hanger  
(4) screws



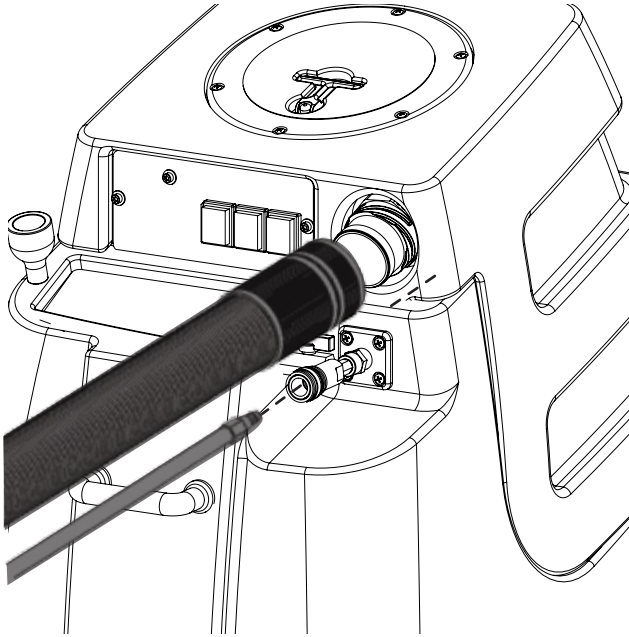
H226 Drain Elbow

## POWER CORD



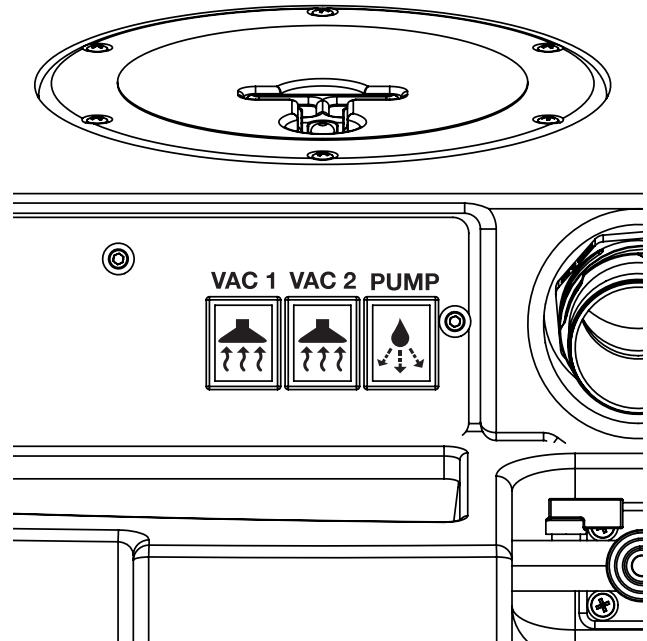
Plug the power cord into a single, 20A grounded wall outlet.

## VACUUM AND SOLUTION HOSE CONNECTIONS



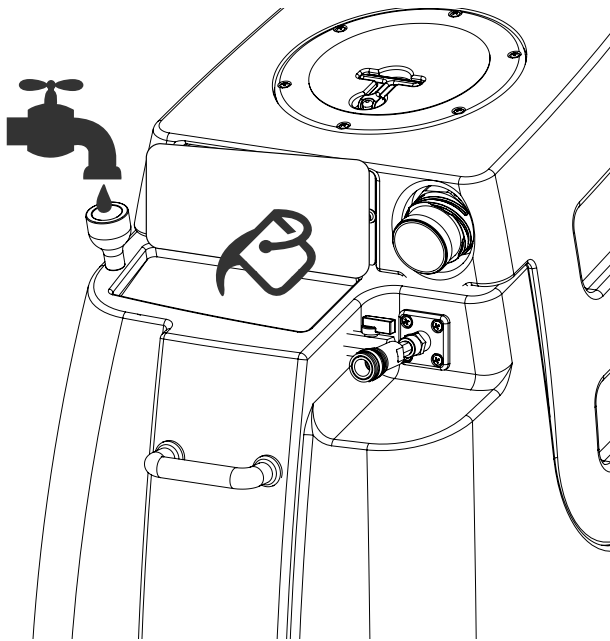
Attach one end of a solution hose to a wand or other tool, the other end to the Speedster's® front quick disconnect. Attach one end of a vacuum hose to the tool, the other end to the Speedster's® Cuff-Lynx™ vacuum hose port.

## SWITCH PLATE



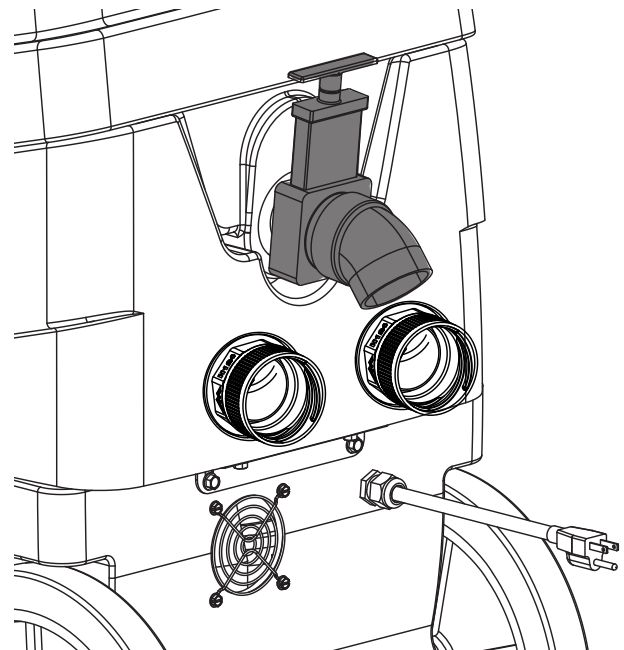
Turn on Vac 1, Vac 2 and Pump switches.

## FILLING THE SOLUTION TANK



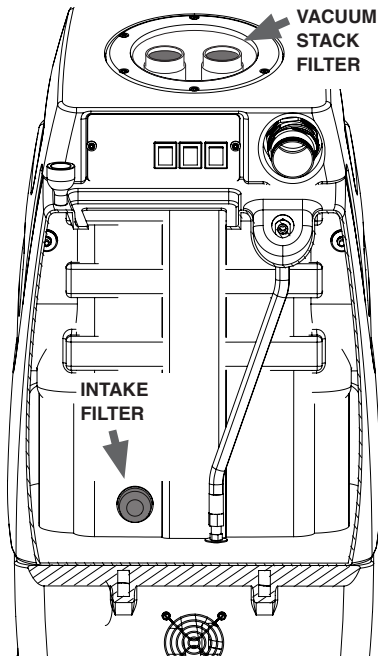
Lift lid and manually fill the solution tank or use the easy faucet fill. **IMPORTANT: Before refilling the solution tank, make sure the recovery tank is empty.**

## EMPTYING THE RECOVERY TANK



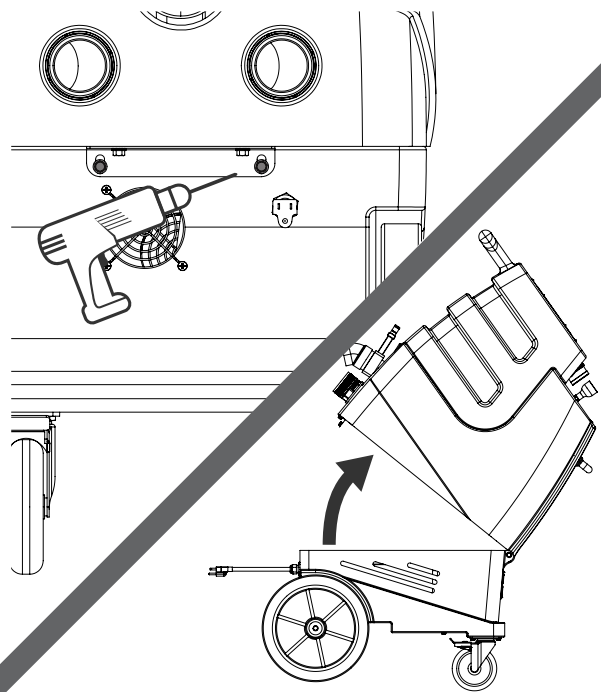
Attach the 45° drain elbow to the drain spout in back. Lift up the dump valve and empty the tank.

## FILTER MAINTENANCE



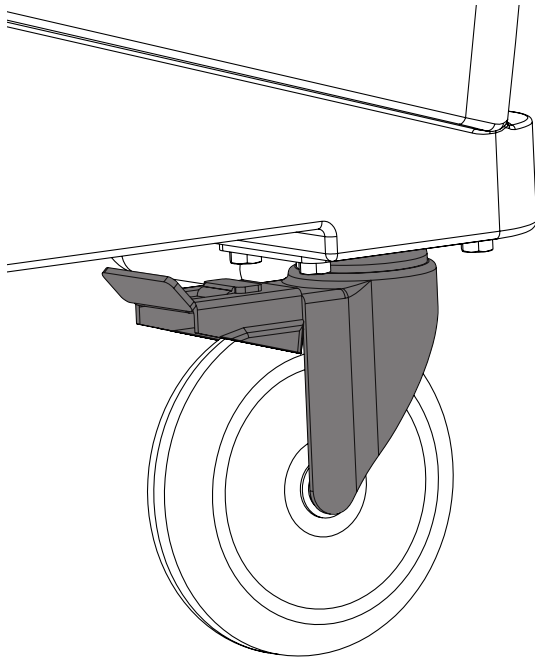
Check and clean the vacuum stack filters and solution tank filter daily by twisting off, rinsing with clean water and replacing.

## OPENING THE SPEEDSTER®



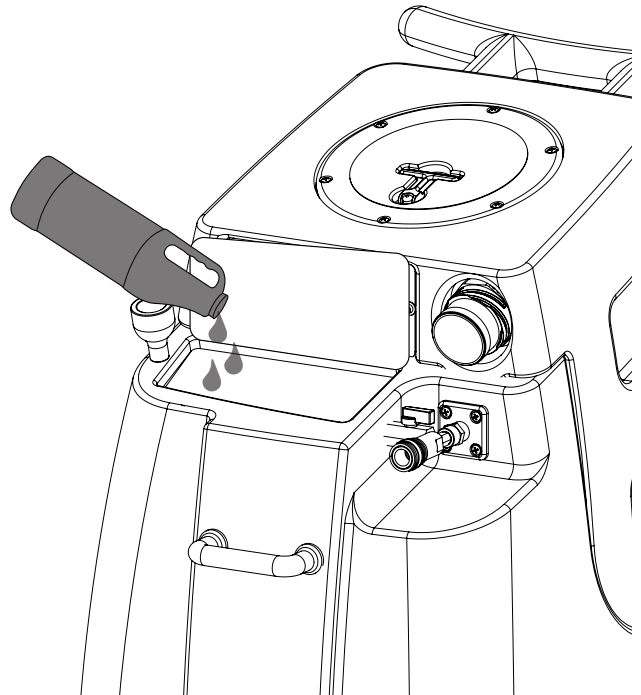
To open your Speedster® for maintenance, use a drill with a 3/8" bit to remove the bolts holding the Speedster's® body together. Lift up on the push handle to open the machine.

## LOCKING CASTERS



Locking casters help keep the machine remain stationary during use.

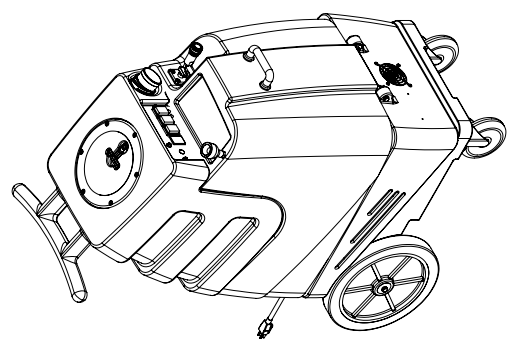
## MYTEE® SYSTEM MAINTAINER



Weekly flushing of the solution system with Mytee® System Maintainer helps keep lines clean and prevents chemical build-up, improving pump life, performance and pressure.

# 1000DX-200 SPEEDSTER PARTS & PRICING

ITEM NO.	PART NO.	DESCRIPTION	QTY.	MSRP	ITEM NO.	PART NO.	DESCRIPTION	QTY.	MSRP																																				
1	H304	screw, #8 x 5/8 phi oval, s/s	14	\$0.99 ea	56	B119A	filter, strainer, 1/2"	1	\$6.49 ea																																				
2	H296	guard, cooling fan, wire	2	\$2.99 ea	57	B210	bushing, brass, 1/2" mpt x 3/8" fpt, hex	1	\$2.49 ea																																				
3	H216	nut, lock, 1/4-20, nylon insert, s/s	10	\$0.99 ea	58	B216	nipple, brass, 3/8" x close	1	\$1.99 ea																																				
4	H210	washer, 1/4" flat, s/s	22	\$0.99 ea	59	H226	spout, drain, 45 degree	1	\$3.19 ea																																				
5	H342	bolt, 1/4-20 x 1" hex head, s/s	8	\$0.99 ea	60	H225	valve, drain, 1-1/2"	1	\$20.99 ea																																				
6	H666	caster, 5", black hub & gray head	2	\$32.19 ea	61	P733	vac tank	1	\$190.99 ea																																				
7	H371	axle, 18.03" x .50" dia	1	\$9.99 ea	62	H314	nut, lock, 1-1/2" steel	2	\$1.99 ea																																				
8	H254	washer, axle, cut 1/2" id	4	\$0.99 ea	63	PH633-03	pipe, pvc, 1-1/2"	4	\$4.99/ft																																				
9	H251	wheel, 12"	4	\$1.99 ea	64	PH633-4	pipe, pvc, 1-1/2"	2	\$4.99/ft																																				
10	H042	c-clip, 12mm, external	2	\$0.99 ea	65	P502	adapter, 1.5" pvc, fsip x fsip	2	\$5.00 ea																																				
11	H221	nut, lock, 1/2" steel	1	\$1.99 ea	66	G097	screen, mesh filter, 1-1/2" dia	2	\$4.99 ea																																				
12	H220	fitting, strain relief, cord	1	\$3.19 ea	67	G003	filter, foam, 2" x .50" o.d.	2	\$1.99 ea																																				
13	E550	power cord, pigtail, 30', 12/3, black	1	\$11.49 ea	68	PH633-1	pipe, pvc, 1-1/2"	2	\$4.99 ft																																				
14	P731	base	1	\$141.99 ea	69	P503	adapter, 1.5" pvc, 45 deg, fsip x fsip	4	\$3.29 ea																																				
15	H202	bolt, 1/4-20 x 3/4" hex head, s/s	6	\$0.99 ea	70	P520	adapter, pvc, 1-1/2" mpt x 1-1/2" fms	2	\$2.99 ea																																				
16	PH615-26	sol hose, 1/2" iur 100psi	1	\$8.99/ft	71	G090	lid, vac tank, clear, 7"	1	\$36.99 ea																																				
17	B173	ferule, 1/2", brass	2	\$0.99 ea	72	G091	gasket, 7", vac lid	1	\$11.99 ea																																				
18	B160	adapter, brass, 1/2" barb x 3/8" fsw, ball end	1	\$3.49 ea	73	A926	elbow, inlet assembly 2"	1	\$15.99 ea																																				
19	B186	elbow, brass, 90 deg, 3/8" mpt x 3/8" fmpf	1	\$8.99 ea	74	H135	Cuff-Lynx, 2" m cuff x 2" mpt	1	\$3.99 ea																																				
20	AH120	sol hose, 28" x 1/4", 1/4 fpt	2	\$35.49 ea	75	H422	plug, dome 3/8", black	2	\$1.00 ea																																				
21	B652	elbow, brass, 90 deg, 3/8" mpt x 1/4" mpt	1	\$8.49 ea	76	E515	switch, rocker, 2 position	3	\$13.99 ea																																				
22	H299	washer, 11/16" id x 1-1/2" od x .075, s/s	4	\$0.99 ea	77	P967A	plug, switch	1	\$1.99 ea																																				
23	H222	screw, 10-32 x 1-1/4" phi pan head, s/s	4	\$0.99 ea	78	H389	screw, 10-32 x 1/2" SHCS, alloy	3	\$0.99 ea																																				
24	H273	nut, kep, #10-32 zinc	6	\$0.99 ea	79	H612	Washer, #8, flat regular	3	\$0.99 ea																																				
25	C3220	pump, 220psi, diaphragm, 115V	1	\$208.99 ea	80	H434	plug, vent, heyco, 1/2"	1	\$4.48 ea																																				
26	B172	elbow, brass, 90 deg, 1/2" barb x 3/8" mpt	1	\$9.49 ea	81	H348	plate, switch, 1000DX-200	1	\$6.99 ea																																				
27	H912	bracket, rear, fb/spy	1	\$9.99 ea	82	H900A	bracket, "L"	2	\$6.99 ea																																				
28	H770	bolt, 1/4-20 x 1/2" serrated hex flange, zinc	8	\$0.99 ea	83	H096	bolt, hex, 1/4-20 x 4", zinc finish	6	\$3.99 ea																																				
29	H307	washer, star, 1/4" steel zinc	2	\$0.99 ea	84	H503	vac support, 3 stage, 3.25", no thrs	6	\$3.99 ea																																				
30	G052	washer, buna 1-1/8" od x 3/16" id	6	\$1.99 ea	85	C302LA	vac motor, 3 stage, low amp	2	\$139.99 ea																																				
31	H211	washer, 1/4" id x 1" od, flat, s/s	6	\$0.99 ea	86	G004	gasket, vacuum motor	2	\$8.99 ea																																				
32	H124	Cuff-Lynx, 2" mpt x 2" female cuff	2	\$3.99 ea	<p><b>ITEMS NOT SHOWN</b></p> <table border="1"> <thead> <tr> <th>PART NO.</th> <th>DESCRIPTION</th> <th>QTY</th> <th>MSRP</th> </tr> </thead> <tbody> <tr> <td>E366</td> <td>harness, electrical</td> <td>1</td> <td>\$68.99 ea</td> </tr> <tr> <td>G008</td> <td>piglet filter</td> <td>1</td> <td>\$6.29 pak</td> </tr> <tr> <td>H375</td> <td>hanger, wire formed, hose</td> <td>1</td> <td>\$10.99 ea</td> </tr> <tr> <td>H230</td> <td>screw, 10-32 x 1/2" phi pan head, s/s</td> <td>2</td> <td>\$0.99 ea</td> </tr> <tr> <td>H141</td> <td>Cuff-Lynx, 2" x 1.5" reducer</td> <td>1</td> <td>\$3.99 ea</td> </tr> <tr> <td>H110</td> <td>Cuff-Lynx, 2" hose x 2" fem swivel Cuff-Lynx</td> <td>1</td> <td>\$3.99 ea</td> </tr> <tr> <td>E530</td> <td>power cord, ext 50', 12/3 black</td> <td>1</td> <td>\$74.99 ea</td> </tr> <tr> <td>P568A</td> <td>cord lock, s-type</td> <td>1</td> <td>\$8.99 ea</td> </tr> </tbody> </table>					PART NO.	DESCRIPTION	QTY	MSRP	E366	harness, electrical	1	\$68.99 ea	G008	piglet filter	1	\$6.29 pak	H375	hanger, wire formed, hose	1	\$10.99 ea	H230	screw, 10-32 x 1/2" phi pan head, s/s	2	\$0.99 ea	H141	Cuff-Lynx, 2" x 1.5" reducer	1	\$3.99 ea	H110	Cuff-Lynx, 2" hose x 2" fem swivel Cuff-Lynx	1	\$3.99 ea	E530	power cord, ext 50', 12/3 black	1	\$74.99 ea	P568A	cord lock, s-type	1	\$8.99 ea
PART NO.	DESCRIPTION	QTY	MSRP																																										
E366	harness, electrical	1	\$68.99 ea																																										
G008	piglet filter	1	\$6.29 pak																																										
H375	hanger, wire formed, hose	1	\$10.99 ea																																										
H230	screw, 10-32 x 1/2" phi pan head, s/s	2	\$0.99 ea																																										
H141	Cuff-Lynx, 2" x 1.5" reducer	1	\$3.99 ea																																										
H110	Cuff-Lynx, 2" hose x 2" fem swivel Cuff-Lynx	1	\$3.99 ea																																										
E530	power cord, ext 50', 12/3 black	1	\$74.99 ea																																										
P568A	cord lock, s-type	1	\$8.99 ea																																										
33	H194	coupler, 2" dia x 2.5" length, s/s	2	\$10.00 ea																																									
34	H217	clamp, hose, 2-1/4 dia	4	\$1.49 ea																																									
35	PH628-24	vac hose, 2", wire reinforced	1	\$8.99/ft																																									
36	H213	washer, 1/4" lock, s/s	10	\$0.99 ea																																									
37	H215	nut, hex, 1/4-20 s/s	2	\$0.99 ea																																									
38	PH612-60	clear tubing, 1/2" OD x 3/8" ID, faucet fill	1	\$1.99/ft																																									
39	B241	adapter, brass, 3/8" barb x 1/4" mpt	1	\$1.99 ea																																									
40	H178	faucet fill	1	\$10.99 ea																																									
41	G018	cover, sol tank (sp)	1	\$12.99 ea																																									
42	P732	sol tank	2	\$0.99 ea																																									
43	H748	bolt, 1/4-20 x 3/4" serrated hex flange, zinc	2	\$141.99 ea																																									
44	B107	nipple, brass, 1/4"m, hex	2	\$3.19 ea																																									
45	H484	plate, mounting, QD	1	\$4.99 ea																																									
46	H256	screw, 10-32 x 3/4" phi pan head, zinc	4	\$0.99 ea																																									
47	B142A	coupling, brass, 1/4" fpt x 1/4" fpt	1	\$4.49 ea																																									
48	B135	tee, brass, 1/4" mpt	1	\$5.49 ea																																									
49	B102	qd, brass, 1/4" f x 1/4" fpt	1	\$17.99 ea																																									
50	B656	ball valve, 1/4"	1	\$13.49 ea																																									
51	B109	adapter, brass, 1/4" barb x 1/4" mpt	1	\$1.99 ea																																									
52	B170	ferule, 1/4", brass	1	\$0.99 ea																																									
53	PH634-36	sol hose, 1/4", silicone braided, clear	1	\$6.49 ft																																									
54	H485	handle, aluminum grip, black	1	\$6.99 ea																																									
55	H378	bracket, front hinge, sp/fb	1	\$8.99 ea																																									

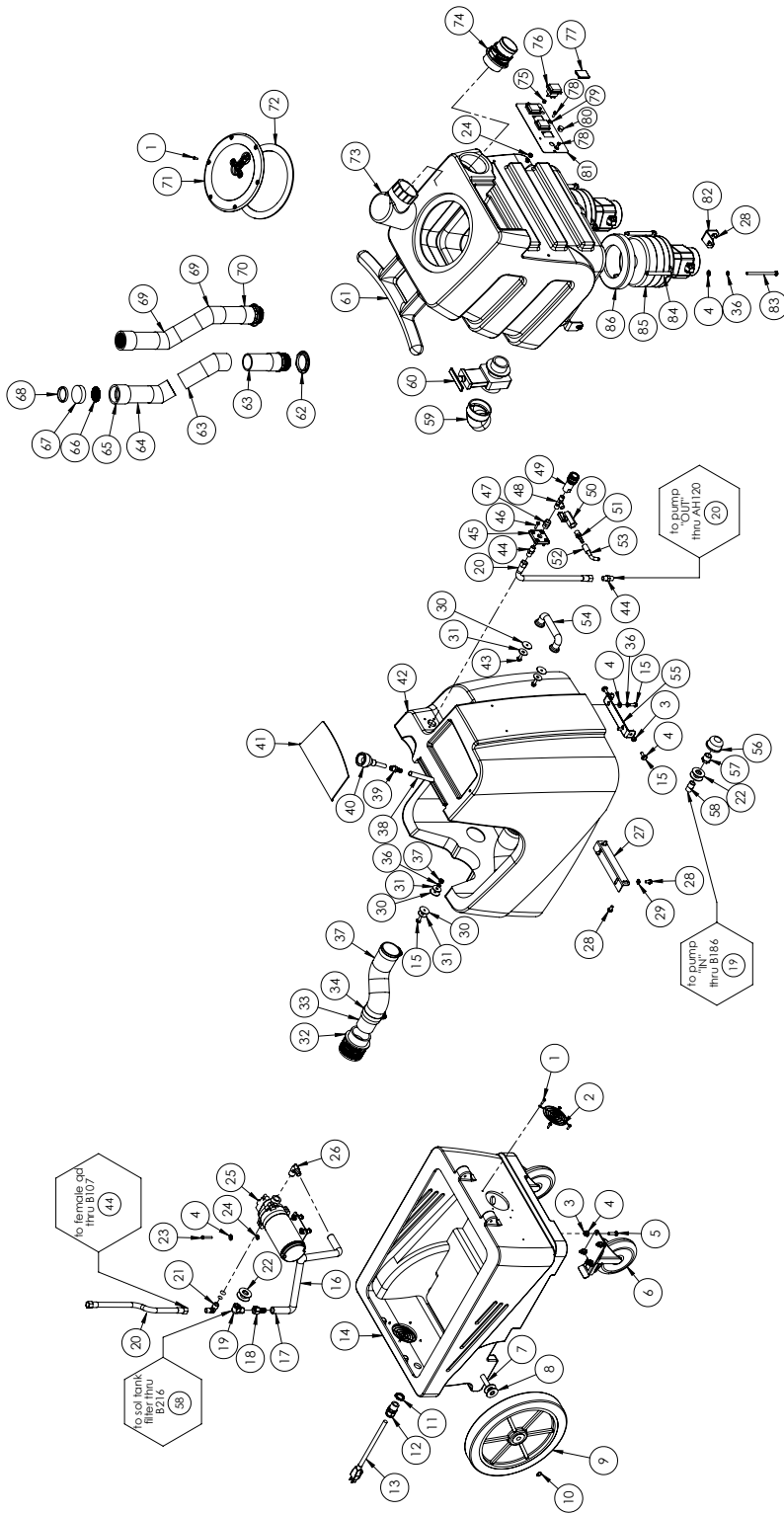


DRAWN: JAL/Roberts  
 CHECKED: [ ]  
 DATE: 10/2013  
 MY TEE PRODUCTS, INC.  
 1056-970111  
 TITLE: speedster  
 SIZE: DWG. NO. C 1000DX-200  
 REV: H  
 SCALE: 1:48  
 SHEET 1 OF 3

Part prices are subject to change.



# 1000DX-200 SPEEDSTER PARTS & PRICING

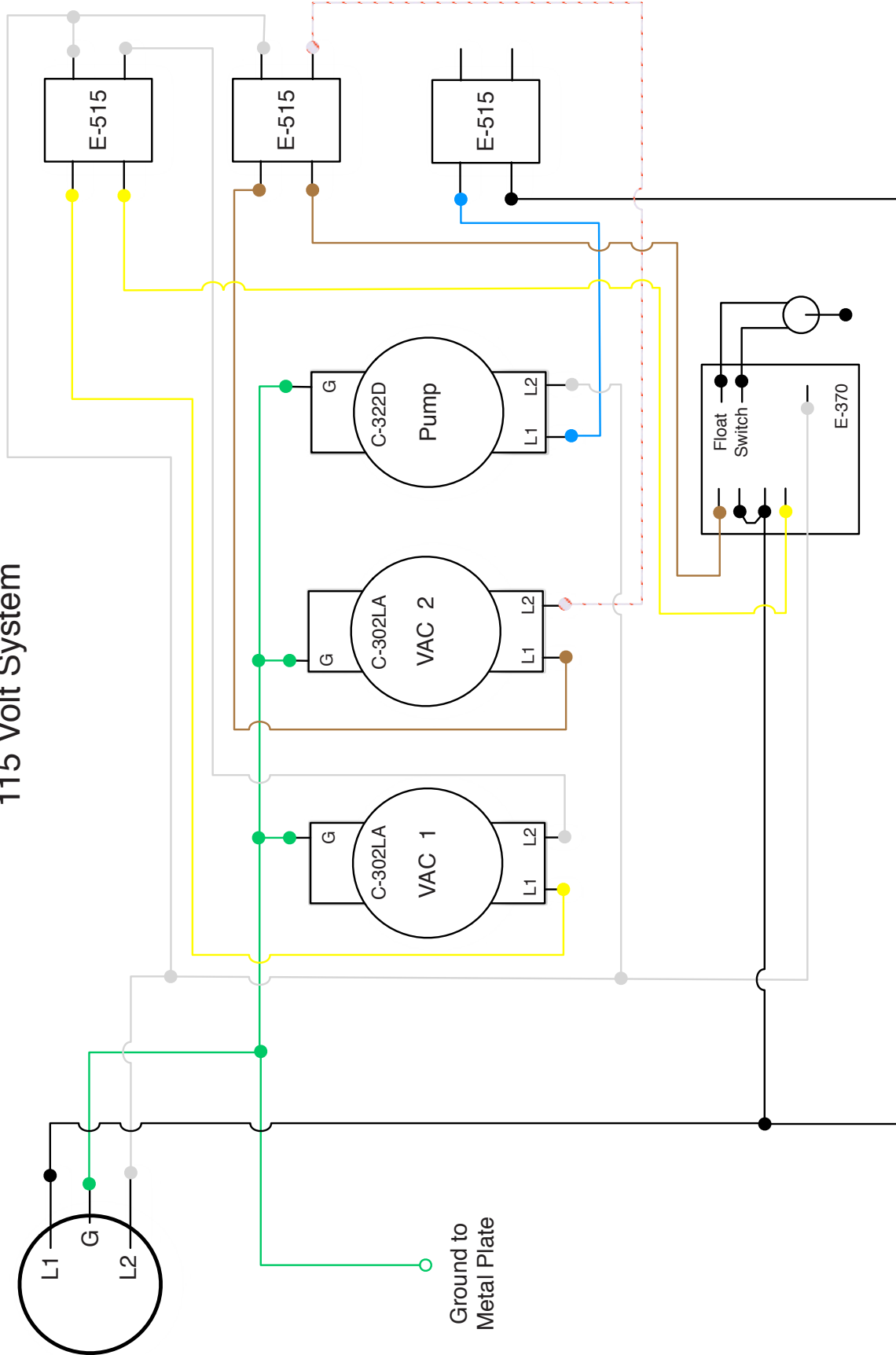


NAME	DATE	MYTEE PRODUCTS, INC.
DRAWN	10/2013	10/2013
CHECKED		
COMMENTS		
TITLE		
speedster		
SUB DWG. NO.	REV	
C 1000DX-200	H	
SCALE: 1:48	SHEET 2 OF 3	

**PROPRIETARY AND CONFIDENTIAL**  
 THIS DOCUMENT IS THE PROPERTY OF MYTEE PRODUCTS, INC. AND IS TO BE USED ONLY FOR THE PURPOSES SPECIFIED HEREIN. REPRODUCTION OR TRANSMISSION OF THIS DOCUMENT IN ANY FORM OR BY ANY MEANS WITHOUT THE WRITTEN PERMISSION OF MYTEE PRODUCTS, INC. IS PROHIBITED.

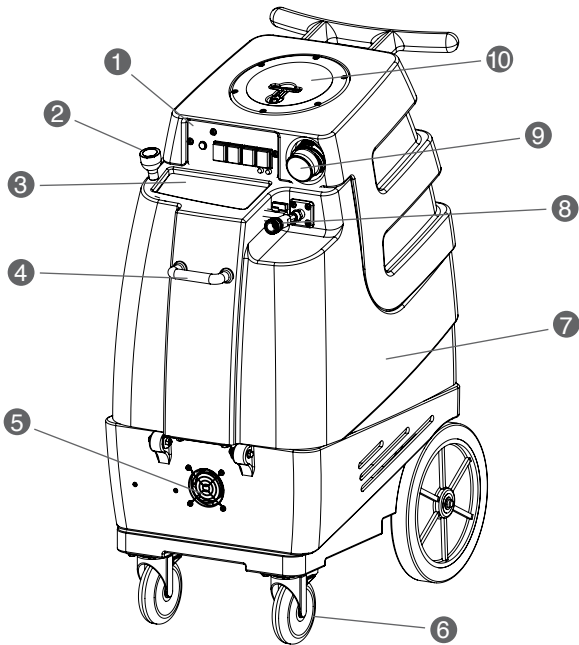
# 1000DX-200 SPEEDSTER WIRING SCHEMATIC

## 1000DX-200 115 Volt System



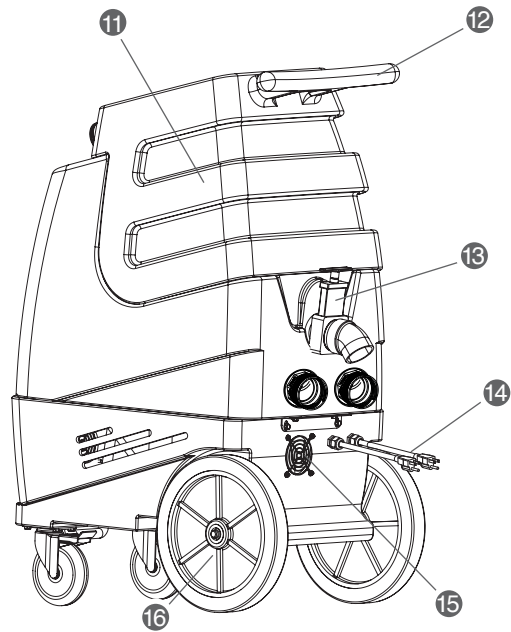
# 1001DX-200 SPEEDSTER

## 1001DX-200 SPEEDSTER® FRONT



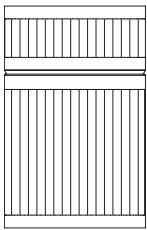
- |                      |                            |
|----------------------|----------------------------|
| 1. Switch plate      | 6. 5" locking casters      |
| 2. Easy faucet fill  | 7. Solution tank           |
| 3. Solution tank lid | 8. Female quick disconnect |
| 4. Front handle      | 9. 2" Male Cuff-Lynx™      |
| 5. Front vent        | 10. Recovery lid           |

## 1001DX-200 SPEEDSTER® BACK

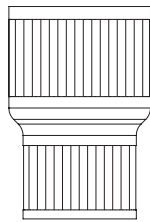


- |                      |                     |
|----------------------|---------------------|
| 11. Recovery tank    | 16. 12" Rear wheels |
| 12. Push handle      |                     |
| 13. Drain valve      |                     |
| 14. Dual power cords |                     |
| 15. Back vent        |                     |

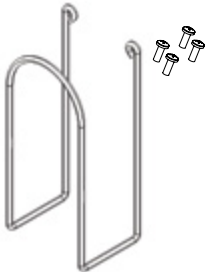
## ITEMS INCLUDED



H110 Cuff-Lynx™  
2" Hose Adapter



H141 Cuff-Lynx™  
2" Hose Reducer to 1.5"



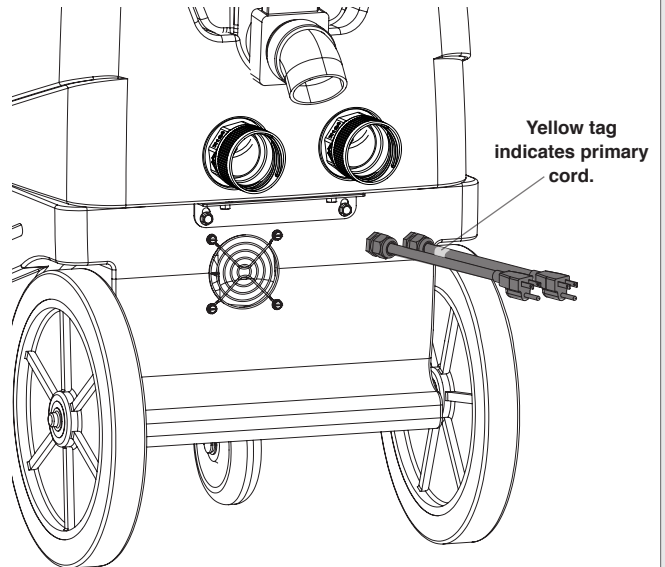
H375- Hose Hanger  
(4) screws



H226 Drain Elbow

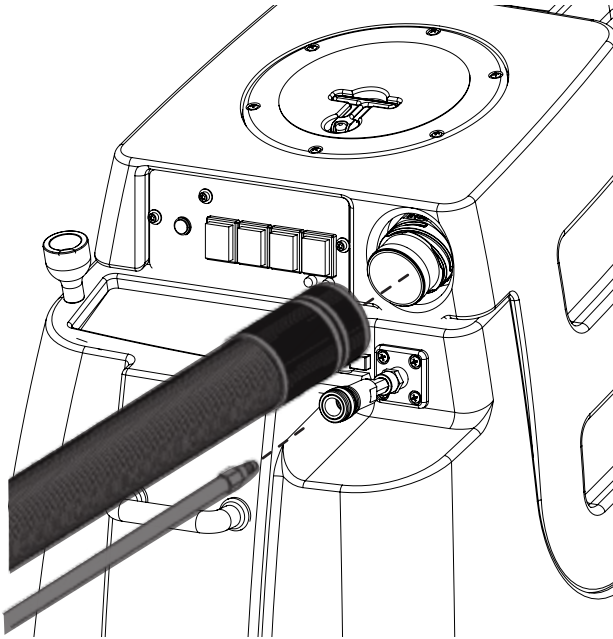
## POWER CORDS

**Left cord: Powers Vac 2 & Heater 2.**  
**Right cord: Powers Vac 1, Heater 1 & Pump.**



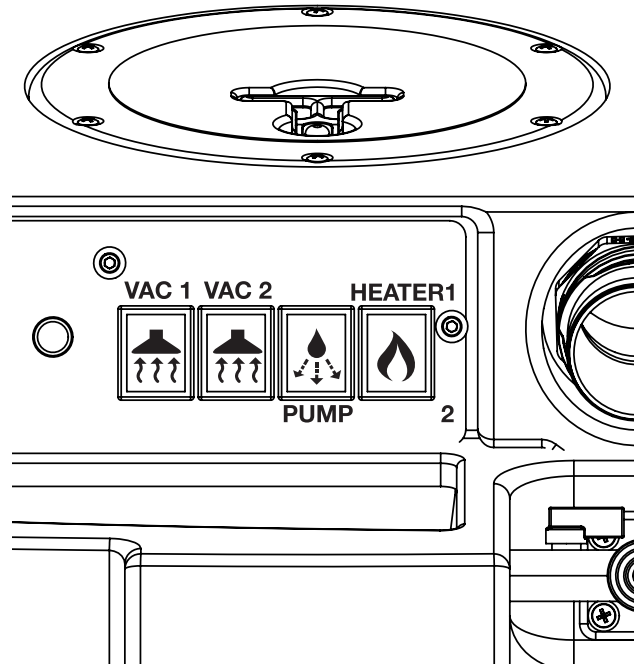
Plug each power cord into a separate, 20A grounded wall outlet. **Outlets must be on two separate breakers.** When the amber light on the switch plate illuminates, the machine is on separate circuits (not necessarily 20A circuits). You can identify the primary cord by the yellow tag.

## VACUUM AND SOLUTION HOSE CONNECTIONS



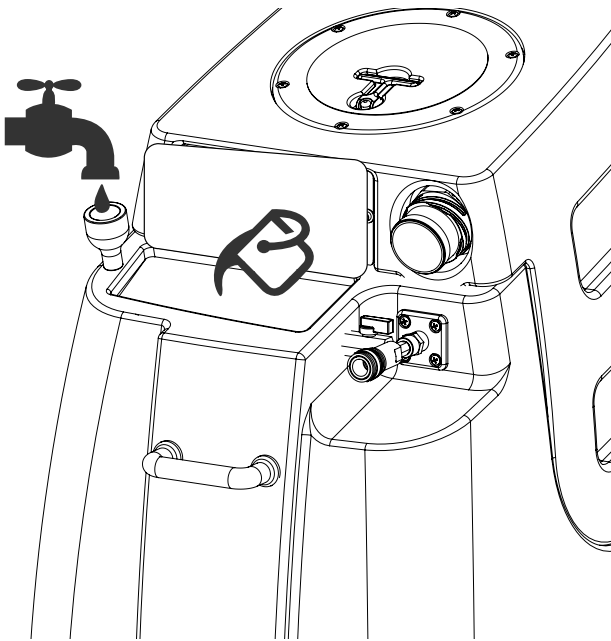
Attach one end of a solution hose to a wand or other tool, the other end to the Speedster's® front quick disconnect. Attach one end of a vacuum hose to the tool, the other end to the Speedster's® Cuff-Lynx™ vacuum hose port.

## SWITCH PLATE



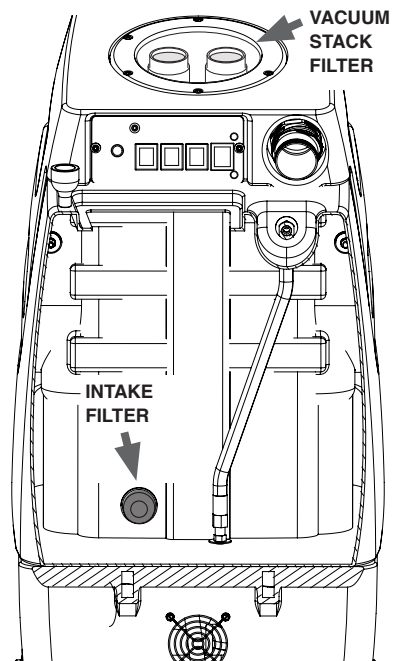
"On" switches are located on the plate in front of the machine. To use vacuums, turn on Vac 1 and Vac 2 switches. To use pump, turn on Pump switch. To activate heat, turn on Heater switch. Heater 1 for 1,000 watts of heat. Heater 2 for 2,000 watts of heat.

## FILLING THE SOLUTION TANK



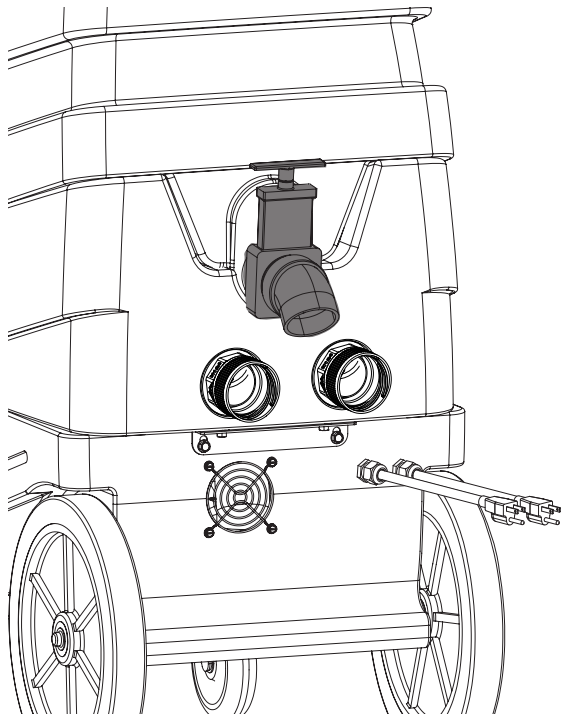
Lift lid and manually fill the solution tank or use the easy faucet fill. **IMPORTANT: Before refilling the solution tank, make sure the recovery tank is empty.**

## FILTER MAINTENANCE



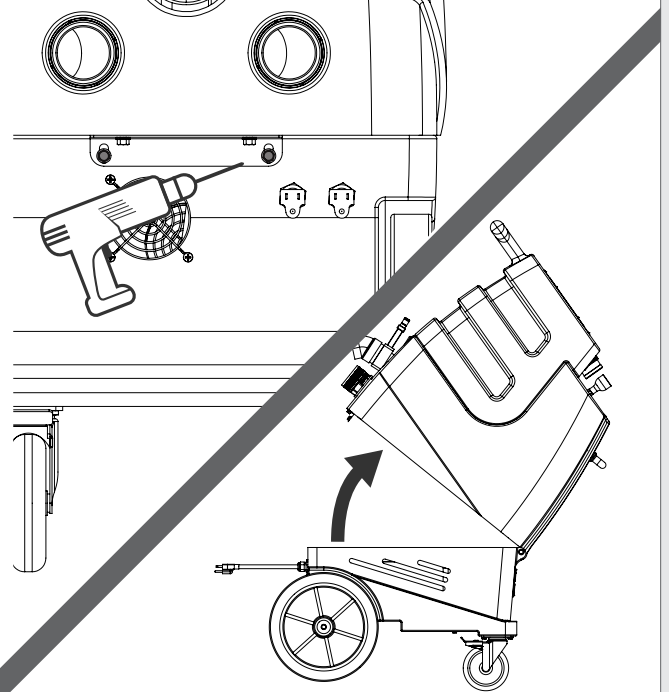
Check and clean the vacuum stack filters and solution tank filter daily by twisting off, rinsing with clean water and replacing.

## EMPTYING THE RECOVERY TANK



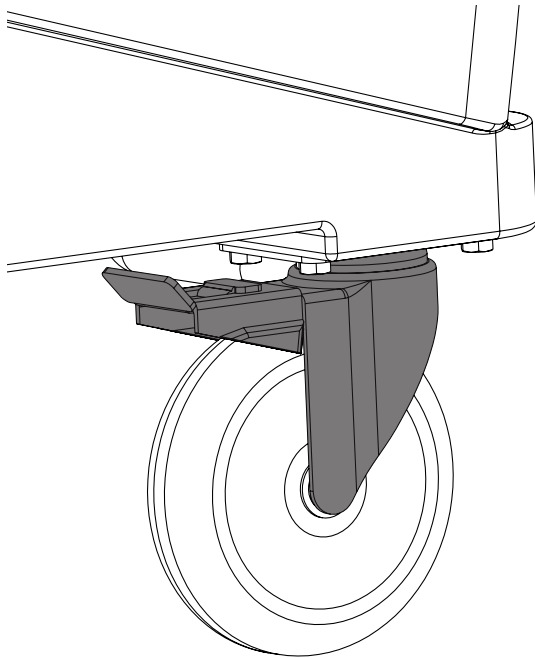
Attach the 45° drain elbow to the drain spout in back. Lift up the dump valve and empty the tank.

## OPENING THE SPEEDSTER®



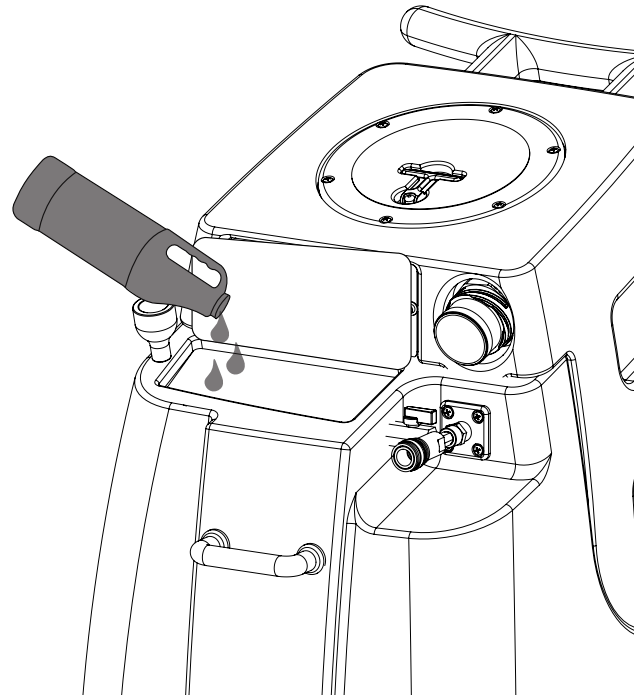
To open your Speedster® for maintenance, use a drill with a 3/8" bit to remove the bolts holding the Speedster's® body together. Lift up on the push handle to open the machine.

## LOCKING CASTERS



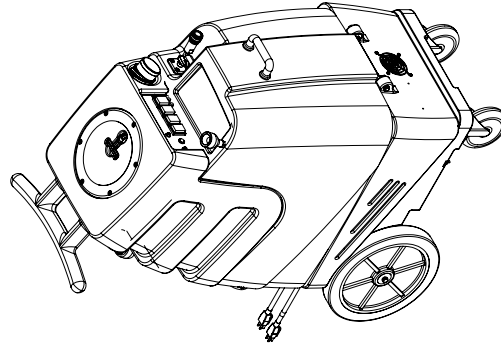
Locking casters help keep the machine remain stationary during use.

## MYTEE® SYSTEM MAINTAINER



Weekly flushing of the solution system with Mytee® System Maintainer helps keep lines clean and prevents chemical build-up, improving pump life, performance and pressure.

# 1001DX-200 SPEEDSTER PARTS & PRICING



ITEM NO.	PART NO.	DESCRIPTION	QTY.	MSRP
1	H304	screw, #8 x 5/8 phil oval, s/s	14	\$0.99 ea
2	H296	guard, cooling fan, wire	2	\$2.99 ea
3	H216	nut, lock, 1/4-20, nylon insert, s/s	10	\$0.99 ea
4	H210	washer, 1/4" flat, s/s	22	\$0.99 ea
5	H342	bolt, 1/4-20 x 1" hex head, s/s	8	\$0.99 ea
6	H666	caster, 5", black hub & gray head	2	\$23.19 ea
7	P731	base	1	\$141.99 ea
8	H371	axle, 18.03" x .50" dia	1	\$9.99 ea
9	H254	washer, axle, cut 1/2" id	4	\$0.99 ea
10	H251	wheel, 12"	2	\$41.99 ea
11	H042	c-clip, 12mm, external	2	\$0.99 ea
12	AH105	hose, pulse, 3/8" x 1/2", [OAL], f	1	\$31.99 ea
13	AH156	hose, 3/8", [OAL], f x fs, 5400 gray	1	\$23.99 ea
14	B103	elbow, brass, 90 deg, 1/4" mpt x 1/4" fpt	2	\$4.49 ea
15	H256	screw, 10-32 x 3/4", phil pan head, zinc	6	\$0.99 ea
16	H528	bracket, heater mounting, dual	1	\$29.99 ea
17	E519	heating rod, 1000W, 115V	2	\$51.99 ea
18	B142A	coupling, brass, 1/4" fpt x 1/4" fpt	2	\$4.49 ea
19	B108	valve, brass, 1/4" check	1	\$13.99 ea
20	H274	screw, 6-3/16, phil pan head, self-lapping	10	\$0.99 ea
21	H903A	heater, aluminum cast, single	2	\$78.99 ea
22	E573	Thermostat, 200°, Auto, 1/4"	2	\$16.49 ea
23	E574	Thermostat, 310°F ± 10°F, Manual, 1/4"	2	\$17.99 ea
24	AH120	sol hose, 28" x 1/4", 1/4" fpt	2	\$35.49 ea
25	H221	nut, lock, 1/2" steel	2	\$1.99 ea
26	H200	filing, strain relief, cord	2	\$3.19 ea
27	E550	power cord, pigtail, 30', 12/3, black	2	\$11.49 ea
28	PH615-26	sol hose, 1/2" kun 100psi	1	\$8.99/ft
29	B160	adapter, brass, 1/2" barb x 3/8" fsw, ball end	1	\$3.49 ea
30	B186	elbow, brass, 90 deg, 3/8" mpt x 3/8" fmp	1	\$8.99 ea
31	B652	elbow, brass, 90 deg, 3/8" mpt x 1/4" mpt	1	\$8.49 ea
32	H299	washer, 1/16" id x 1/2" od x .075, s/s	4	\$0.99 ea
33	H222	screw, 10-32 x 1/4", phil pan head, s/s	4	\$0.99 ea
34	C322D	pump, 220psi, diaphragm, 115V	1	\$208.99 ea
35	B172	elbow, brass, 90 deg, 1/2" barb x 3/8" mpt	1	\$9.49 ea
36	B173	ferule, 1/2", brass	2	\$0.99 ea
37	H273	nut, kep, #10-32 zinc	8	\$0.99 ea
38	H912	bracket, rear, fb/spy	1	\$9.99 ea
39	H770	bolt, 1/4-20 x 1/2" serrated hex flange, zinc	8	\$0.99 ea
40	H307	washer, star, 1/4" steel zinc	2	\$0.99 ea
41	G052	washer, buna 1-1/8" od x 3/16" id	6	\$1.99 ea
42	H211	washer, 1/4" id x 1" od, flat, s/s	6	\$0.99 ea
43	H203	bolt, 1/4-20 x 1-1/4"	2	\$0.99 ea
44	H124	Cuff-Lynx, 2" mpt x 2" female cuff	2	\$3.99 ea
45	H194	coupler, 2" dia x 2.5" length, s/s	2	\$10.00 ea
46	H217	clamp, hose, 2-1/4 dia	4	\$1.49 ea
47	PH628-15	vac hose, 2", wire reinforced	2	\$8.99/ft
48	H213	washer, 1/4" lock, s/s	10	\$0.99 ea
49	H215	nut, hex, 1/4-20 s/s	2	\$0.99 ea
50	PH612-60	clear tubing, 1/2" OD x 3/8" ID, faucet fill	1	\$1.99/ft
51	G018	cover, sol tank (sp)	1	\$12.99 ea
52	H178	faucet fill	1	\$10.99 ea
53	B241	adapter, brass, 3/8" barb x 1/4" mpt	1	\$1.99 ea
54	P732	sol tank	1	\$141.99 ea
55	H768	bolt, 1/4-20 x 3/4" serrated hex flange, zinc	2	\$0.99 ea
56	B107	nipple, brass, 1/4"m, hex	2	\$3.19 ea
57	H484	plate, mounting, QD	1	\$4.99 ea
58	B135	tee, brass, 1/4" mpt	1	\$5.49 ea
59	B102	qd, brass, 1/4" x 1/4" fpt	1	\$17.99 ea
60	B656	ball valve, 1/4"	1	\$13.49 ea
61	B109	adapter, brass, 1/4" barb x 1/4" mpt	1	\$1.99 ea
62	B170	ferule, 1/4", brass	2	\$0.99 ea

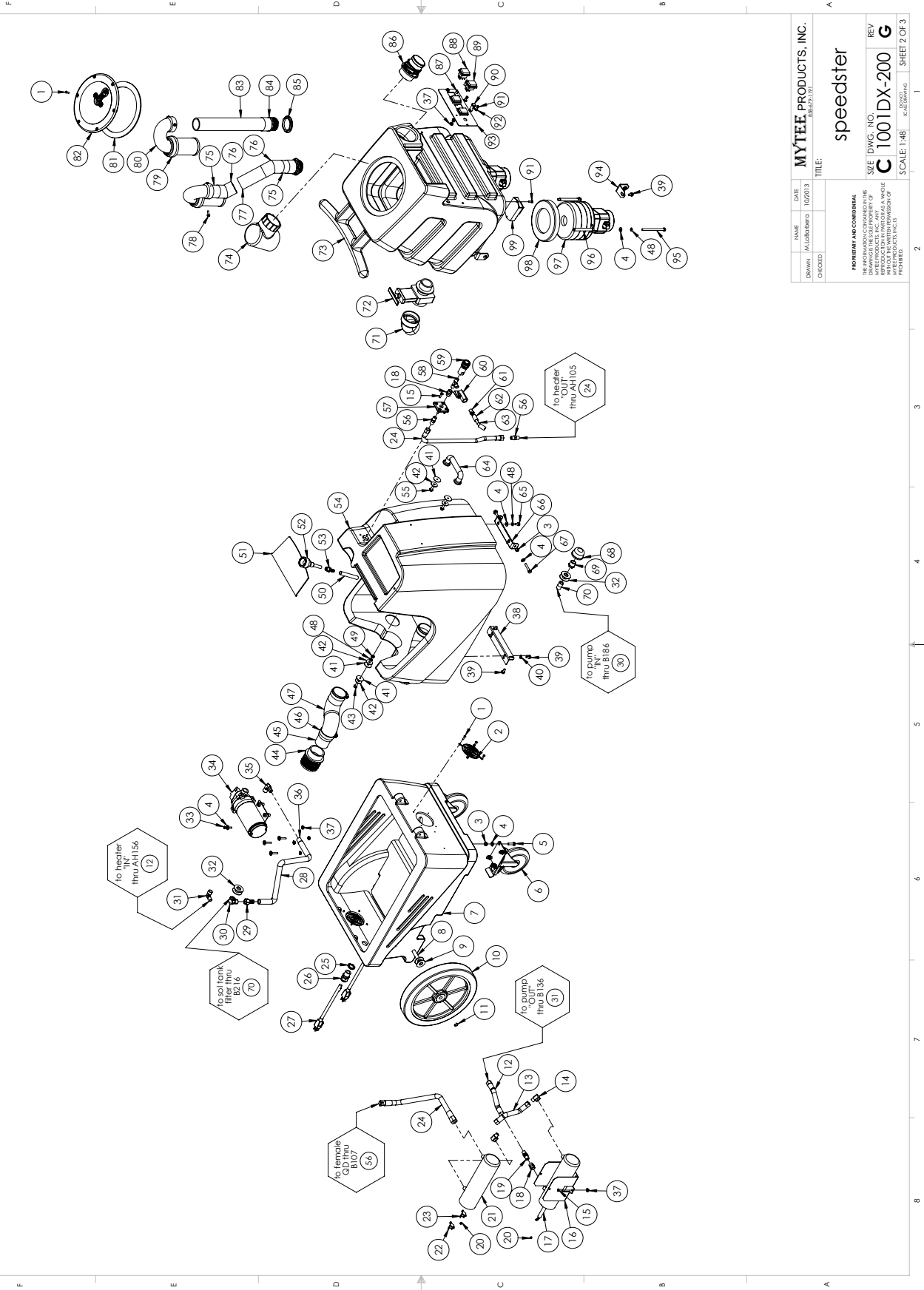
### ITEMS NOT SHOWN

PART NO.	DESCRIPTION	QTY	MSRP
A976	harness, electrical	1	\$88.99 ea
G008	piglet filter	1	\$6.29 pak
H975	hanger, wire formed, hose	1	\$10.99 ea
H230	screw, 10-32 x 1/2" phil pan head, s/s	2	\$0.99 ea
H141	Cuff-Lynx, 2" x 1.5" reducer	1	\$3.99 ea
H110	Cuff-Lynx, 2" hose x 2" fem swivel Cuff-Lynx	1	\$3.99 ea
E530	power cord, ext 50', 12/3 black	2	\$74.99 ea
P568A	cord lock, s-type	2	\$6.99 ea
P960	cuffies, 1/4" ad, standard pack of 2	1	\$2.99 ea

DRAWN: M. Lubiano  
 CHECKED: [ ]  
 DATE: 10/2013  
 NAME: MYTEE PRODUCTS, INC.  
 TITLE: speedster  
 SUE DWG. NO. C 1001DX-200  
 REV G  
 SCALE: 1:48  
 SHEET 1 OF 3

Part prices are subject to change.

# 1001DX-200 SPEEDSTER PARTS & PRICING

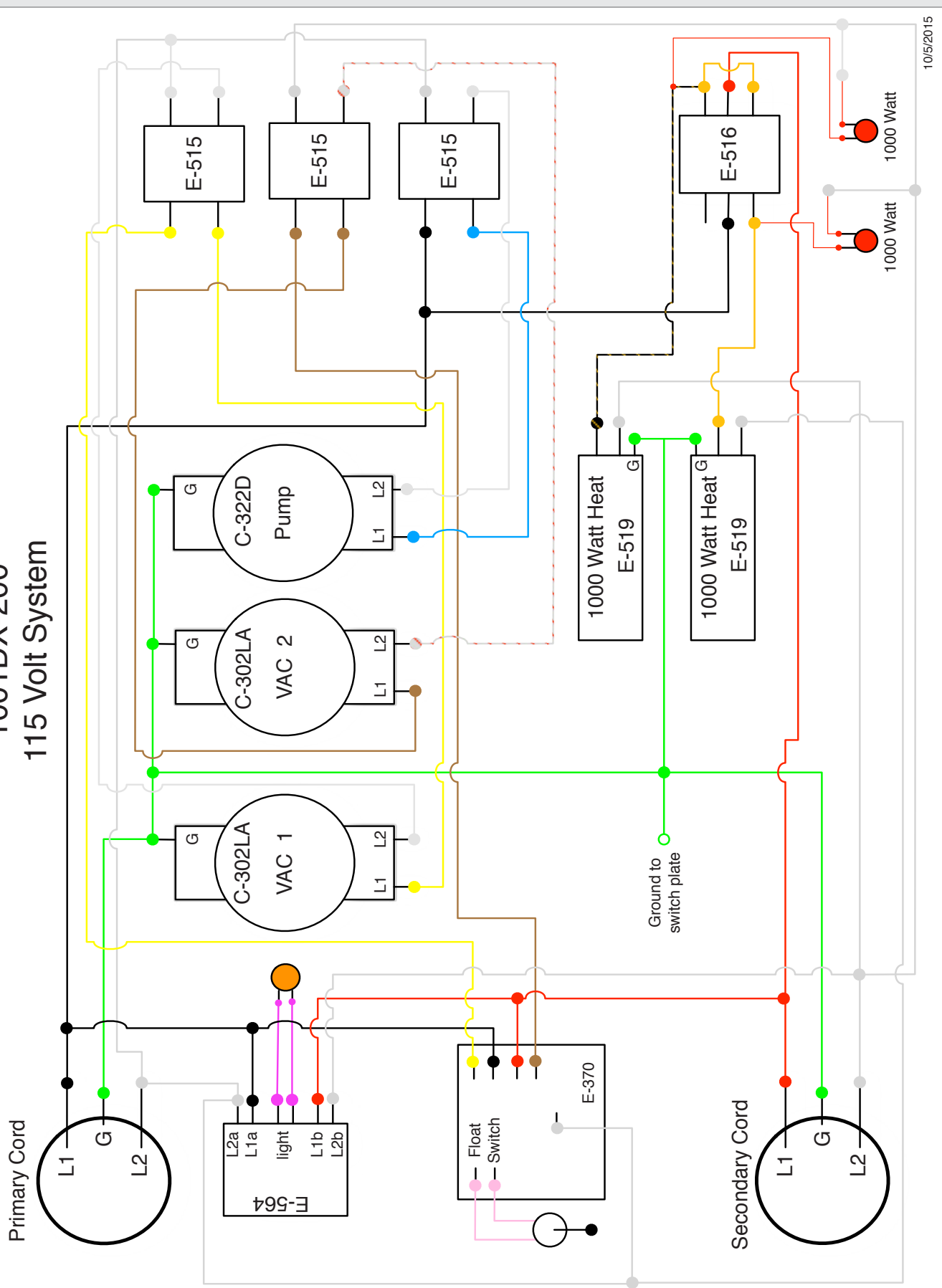


NAME	DATE	MYTEE PRODUCTS, INC.
DRAWN	1/20/03	REV
CHECKED		C 1001DX-200
TITLE: speedster		
SCALE: 1:48		
SHEET 2 OF 3		

**PROPERTY AND CONFIDENTIAL**  
 INFORMATION IS CONTAINED HEREIN  
 WHICH IS THE PROPERTY OF MYTEE  
 PRODUCTS, INC. ANY REPRODUCTION  
 WITHOUT THE WRITTEN PERMISSION OF  
 MYTEE PRODUCTS, INC. IS  
 PROHIBITED.

# 1001DX-200 SPEEDSTER WIRING SCHEMATIC

## 1001DX-200 115 Volt System

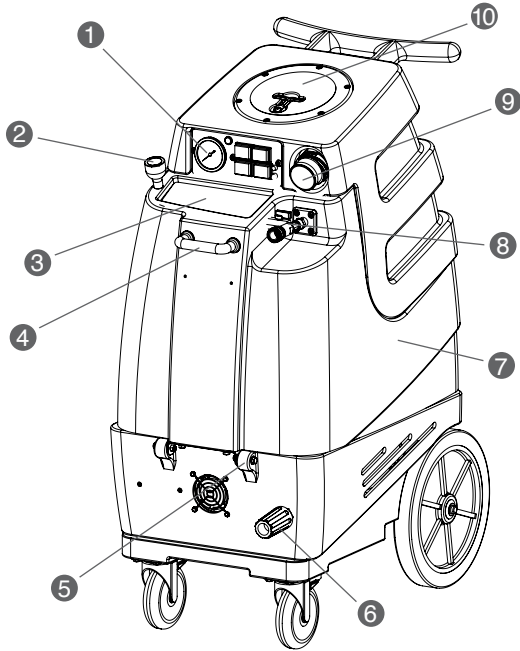


10/5/2015



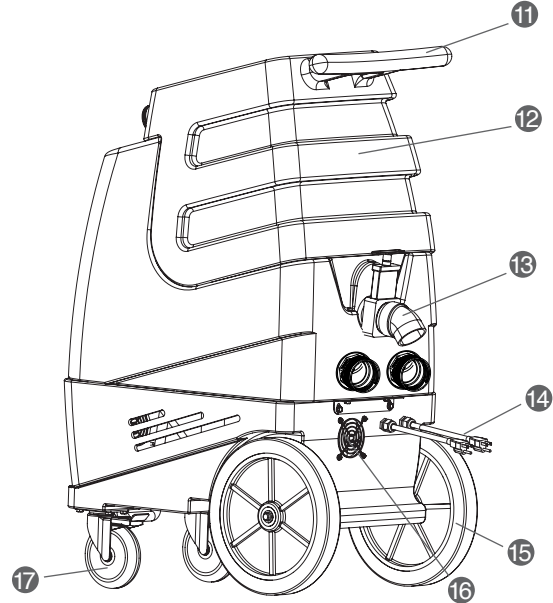
# 1003DX SPEEDSTER

## 1003DX SPEEDSTER® FRONT



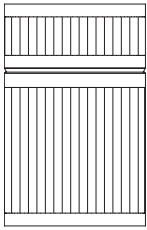
- |                      |                               |
|----------------------|-------------------------------|
| 1. Switch plate      | 6. Pressure Regulator         |
| 2. Easy Faucet Fill  | 7. Solution tank              |
| 3. Solution lid      | 8. Female QD with Prime Valve |
| 4. Front handle      | 9. 2" Male Cuff-Lynx™         |
| 5. Front cooling fan | 10. Recovery lid              |

## 1003DX SPEEDSTER® BACK

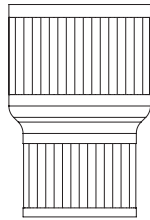


- |                      |                        |
|----------------------|------------------------|
| 11. Push handle      | 16. Back vent          |
| 12. Recovery tank    | 17. 5" locking casters |
| 13. Drain valve      |                        |
| 14. Dual Power cords |                        |
| 15. 12" Rear wheels  |                        |

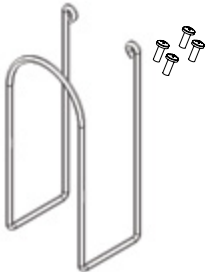
## ITEMS INCLUDED



H110 Cuff-Lynx™  
2" Hose Adapter



H141 Cuff-Lynx™  
2" Hose Reducer to 1.5"



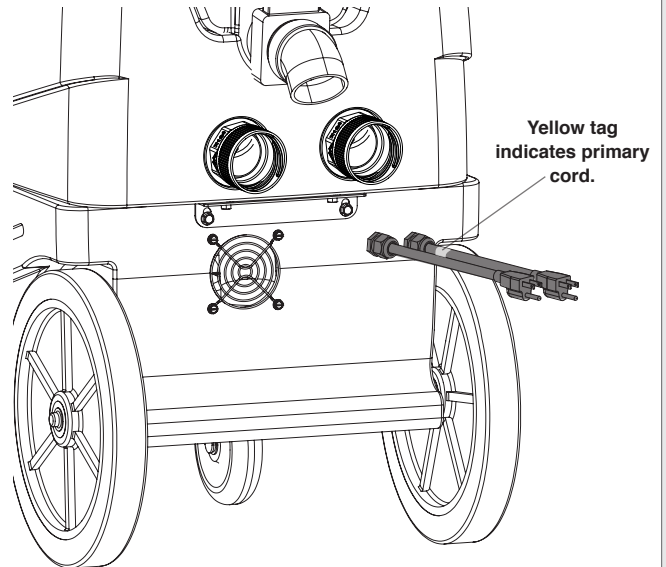
H375- Hose Hanger  
(4) screws



H226 Drain Elbow

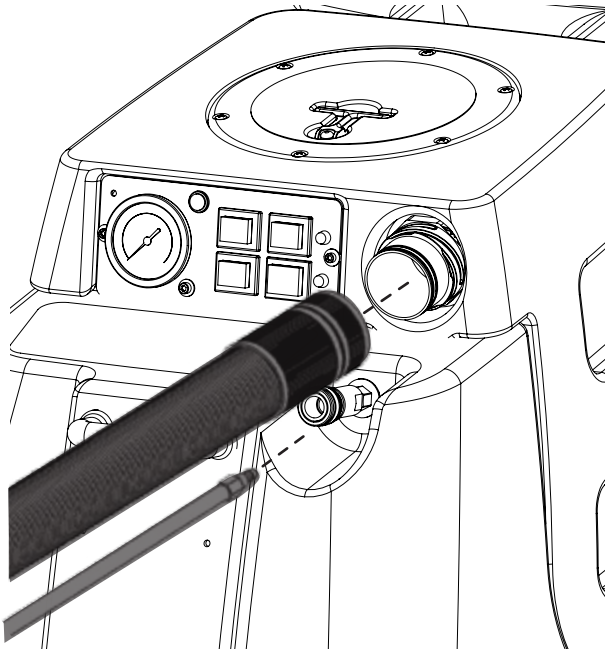
## POWER CORD

**Left cord: Powers Vac 2 & Heater 2.**  
**Right cord: Powers Vac 1, Heater 1 & Pump.**



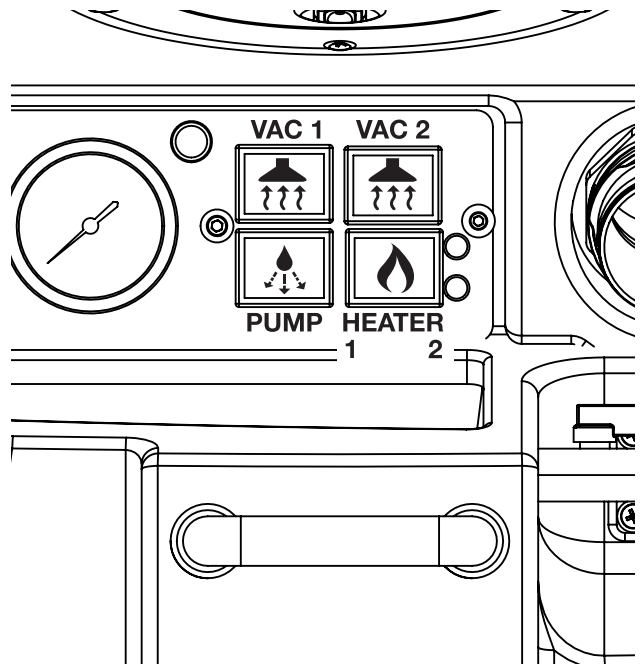
Plug each power cord into a separate, 20A grounded wall outlet. **Outlets must be on two separate breakers.** When the amber light on the switch plate illuminates, the machine is on separate circuits (not necessarily 20A circuits). You can identify the primary cord by the yellow tag.

## VACUUM AND SOLUTION HOSE CONNECTIONS



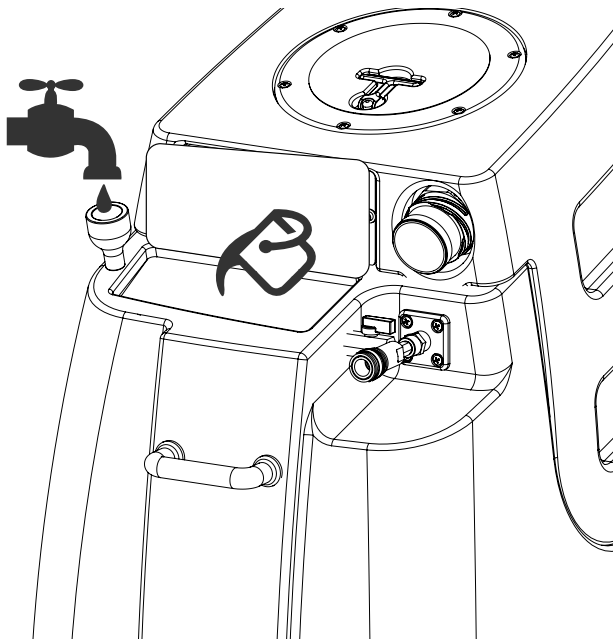
Attach one end of a solution hose to a wand or other tool, the other end to the Speedster's® front quick disconnect. Attach one end of a vacuum hose to the tool, the other end to the Speedster's® Cuff-Lynx™ vacuum hose port.

## SWITCH PLATE



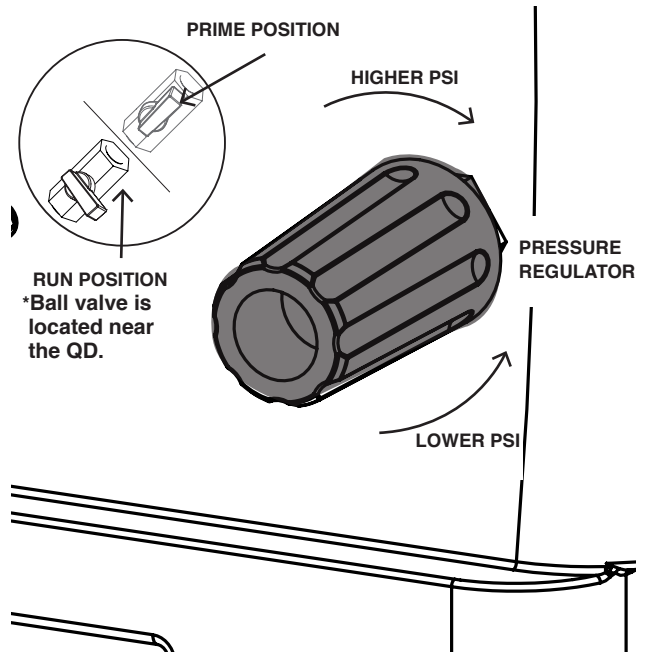
"On" switches are located on the plate in front of the machine. To use vacuums, turn on Vac 1 and Vac 2 switches. To use pump, turn on Pump switch. To activate heat, use lower right switch. Press to the left for 1,000 watts, press to the right for 2,000 watts.

## FILLING THE SOLUTION TANK



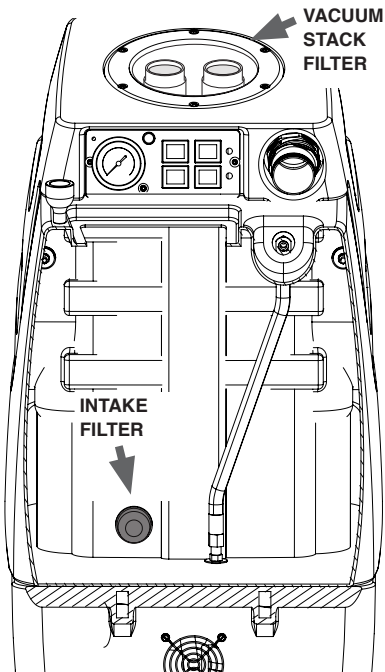
Lift lid and manually fill the solution tank or use the easy faucet fill. **IMPORTANT: Before refilling the solution tank, make sure the recovery tank is empty.**

## PRIME VALVE & PRESSURE REGULATOR



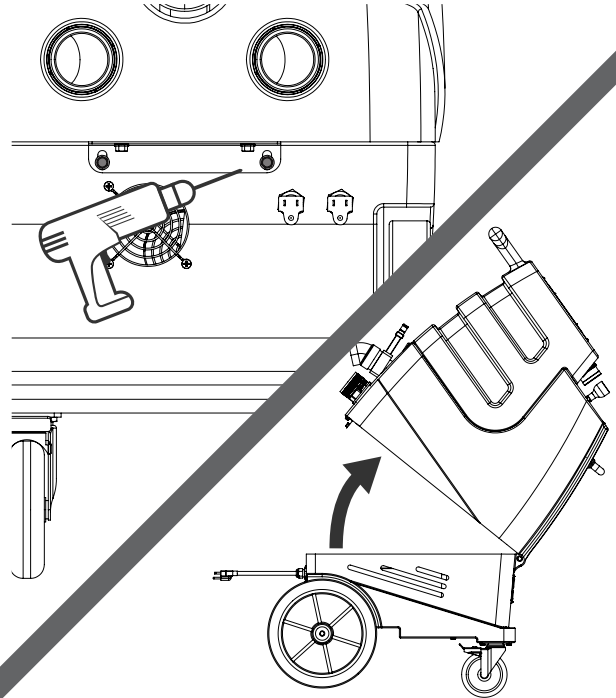
Prime the pump by turning the valve to the Prime position (as shown above) for 30 seconds, then turn right to the Run position. Turn the Pressure Regulator to the left to decrease water pressure. Turn the Pressure Regulator to the right to increase water pressure.

## FILTER MAINTENANCE



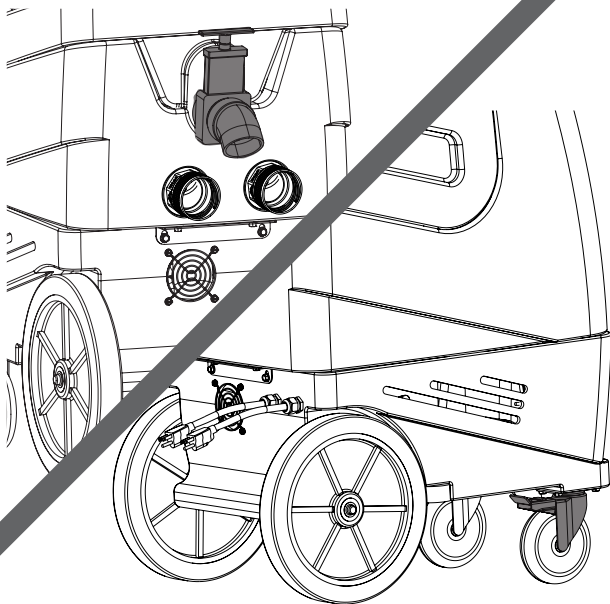
Check and clean the vacuum stack filters and solution tank filter daily by twisting off, rinsing with clean water and replacing.

## OPENING THE SPEEDSTER®



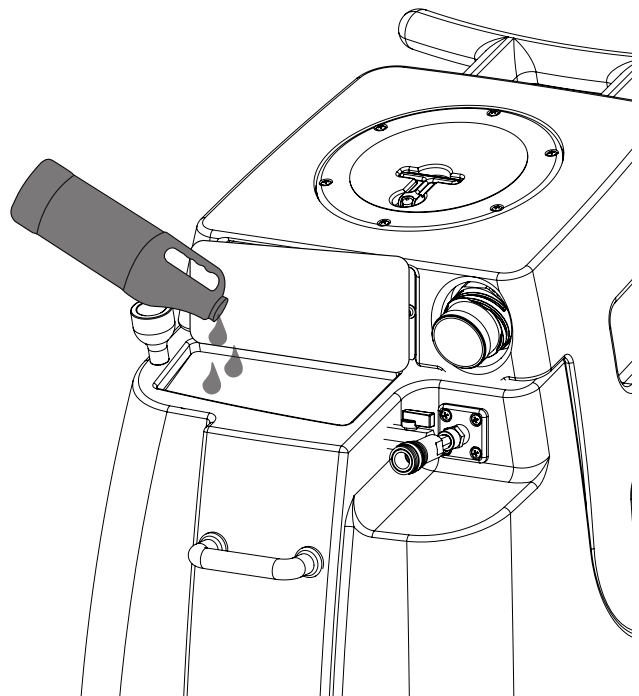
To open your Speedster® for maintenance, use a drill with a 3/8" bit to remove the bolts holding the Speedster's® body together. Lift up on the push handle to open the machine.

## DUMP VALVE & LOCKING CASTERS



Above, empty the recovery tank by attaching the 45° drain elbow to the drain spout in back. Lift up the dump valve and empty the tank. Below, locking casters help keep the machine remain stationary during use.

## MYTEE® SYSTEM MAINTAINER



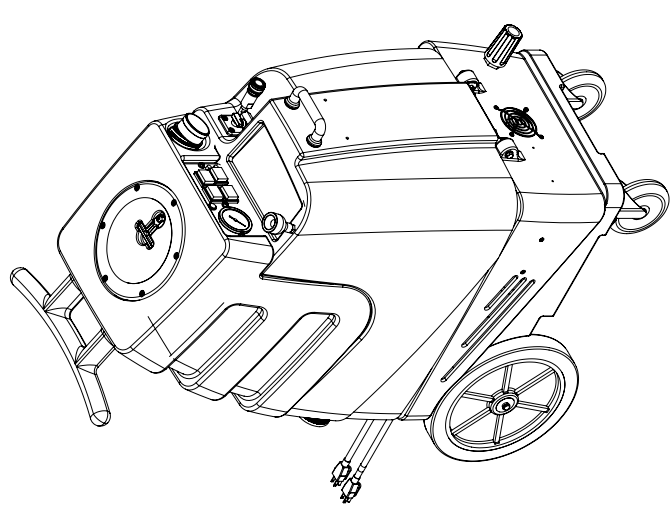
Weekly flushing of the solution system with Mytee® System Maintainer helps keep lines clean and prevents chemical build-up, improving pump life, performance and pressure.

# 1003DX SPEEDSTER PARTS & PRICING

ITEM NO.	PART NO.	DESCRIPTION	QTY.	MSRP
1	H256	guard, coding (on wire)	2	\$29.90
2	H304	screw, #8 x 3/8 (on cord 1/3)	14	\$39.90
3	H216	nut, lock, 1/4-20 (top/mount 1/3)	14	\$39.90
4	H210	washer, 1/4 (top 1/3)	26	\$39.90
5	H342	bolt, 1/4-20 x 1 1/2 (top head 1/3)	12	\$39.90
6	H343	washer, 3/8 (top head 1/3)	12	\$39.90
7	H272	collar, 3/8 (top head 1/3)	2	\$39.90
8	H444	coupler, 2" dia x 2 1/2" length 1/3	1	\$39.90
9	H186	screw, 10-32 x 3/4 (on bolt head 1/3)	2	\$39.90
10	H254	washer, oval, cut 1/2 (1/3)	4	\$39.90
11	H371	rod, 1/8" dia x 5" (1/3)	2	\$39.90
12	H314	c-clip, 1/2 (on ext) 1/3	2	\$39.90
13	H042	nut, lock, 1/2 (on ext) 1/3	2	\$39.90
14	H220	filtra, item neck cord	2	\$31.90
15	H220	power cord, 90' (on cord 1/3)	2	\$11.49
16	H220	boom	1	\$141.99
17	H220	screw, 10-32 x 3/4 (on boom head 1/3)	4	\$39.90
18	H256	bracket, motor mounting, dual	1	\$78.99
19	H256	header, aluminum, cut, single	2	\$49.99
20	H256	header, aluminum, cut, single	2	\$49.99
21	H256	header, aluminum, cut, single	2	\$49.99
22	H256	header, aluminum, cut, single	2	\$49.99
23	H256	header, aluminum, cut, single	2	\$49.99
24	H256	header, aluminum, cut, single	2	\$49.99
25	H256	header, aluminum, cut, single	2	\$49.99
26	H256	header, aluminum, cut, single	2	\$49.99
27	H256	header, aluminum, cut, single	2	\$49.99
28	H256	header, aluminum, cut, single	2	\$49.99
29	H256	header, aluminum, cut, single	2	\$49.99
30	H256	header, aluminum, cut, single	2	\$49.99
31	H256	header, aluminum, cut, single	2	\$49.99
32	H256	header, aluminum, cut, single	2	\$49.99
33	H256	header, aluminum, cut, single	2	\$49.99
34	H256	header, aluminum, cut, single	2	\$49.99
35	H256	header, aluminum, cut, single	2	\$49.99
36	H256	header, aluminum, cut, single	2	\$49.99
37	H256	header, aluminum, cut, single	2	\$49.99
38	H256	header, aluminum, cut, single	2	\$49.99
39	H256	header, aluminum, cut, single	2	\$49.99
40	H256	header, aluminum, cut, single	2	\$49.99
41	H256	header, aluminum, cut, single	2	\$49.99
42	H256	header, aluminum, cut, single	2	\$49.99
43	H256	header, aluminum, cut, single	2	\$49.99
44	H256	header, aluminum, cut, single	2	\$49.99
45	H256	header, aluminum, cut, single	2	\$49.99
46	H256	header, aluminum, cut, single	2	\$49.99
47	H256	header, aluminum, cut, single	2	\$49.99
48	H256	header, aluminum, cut, single	2	\$49.99
49	H256	header, aluminum, cut, single	2	\$49.99
50	H256	header, aluminum, cut, single	2	\$49.99
51	H256	header, aluminum, cut, single	2	\$49.99
52	H256	header, aluminum, cut, single	2	\$49.99
53	H256	header, aluminum, cut, single	2	\$49.99
54	H256	header, aluminum, cut, single	2	\$49.99
55	H256	header, aluminum, cut, single	2	\$49.99
56	H256	header, aluminum, cut, single	2	\$49.99
57	H256	header, aluminum, cut, single	2	\$49.99
58	H256	header, aluminum, cut, single	2	\$49.99
59	H256	header, aluminum, cut, single	2	\$49.99
60	H256	header, aluminum, cut, single	2	\$49.99
61	H256	header, aluminum, cut, single	2	\$49.99
62	H256	header, aluminum, cut, single	2	\$49.99
63	H256	header, aluminum, cut, single	2	\$49.99
64	H256	header, aluminum, cut, single	2	\$49.99
65	H256	header, aluminum, cut, single	2	\$49.99
66	H256	header, aluminum, cut, single	2	\$49.99
67	H256	header, aluminum, cut, single	2	\$49.99
68	H256	header, aluminum, cut, single	2	\$49.99
69	H256	header, aluminum, cut, single	2	\$49.99

ITEMS NOT SHOWN	PART NO.	DESCRIPTION	QTY.	MSRP
	E800	harness, electrical	1	\$129.99
	C008	pin, flat	1	\$6.29
	H435	hanger, wire lamed, hose	1	\$10.99
	H435	screw, 10-32 x 1/2 (on pin head 1/4)	2	\$3.99
	H441	Cu/Al wire, 2' (on 1/2" motor)	1	\$3.99
	E500	power cord, cut 50', 12/3 (on 1/2")	2	\$14.99
	H110	Cu/Al wire, 2' (on 1/2" motor)	2	\$3.99
	P568A	card, lock, 3 (on 1/2")	2	\$8.99
	P568B	collar, 1/4" (on 1/2")	1	\$2.99

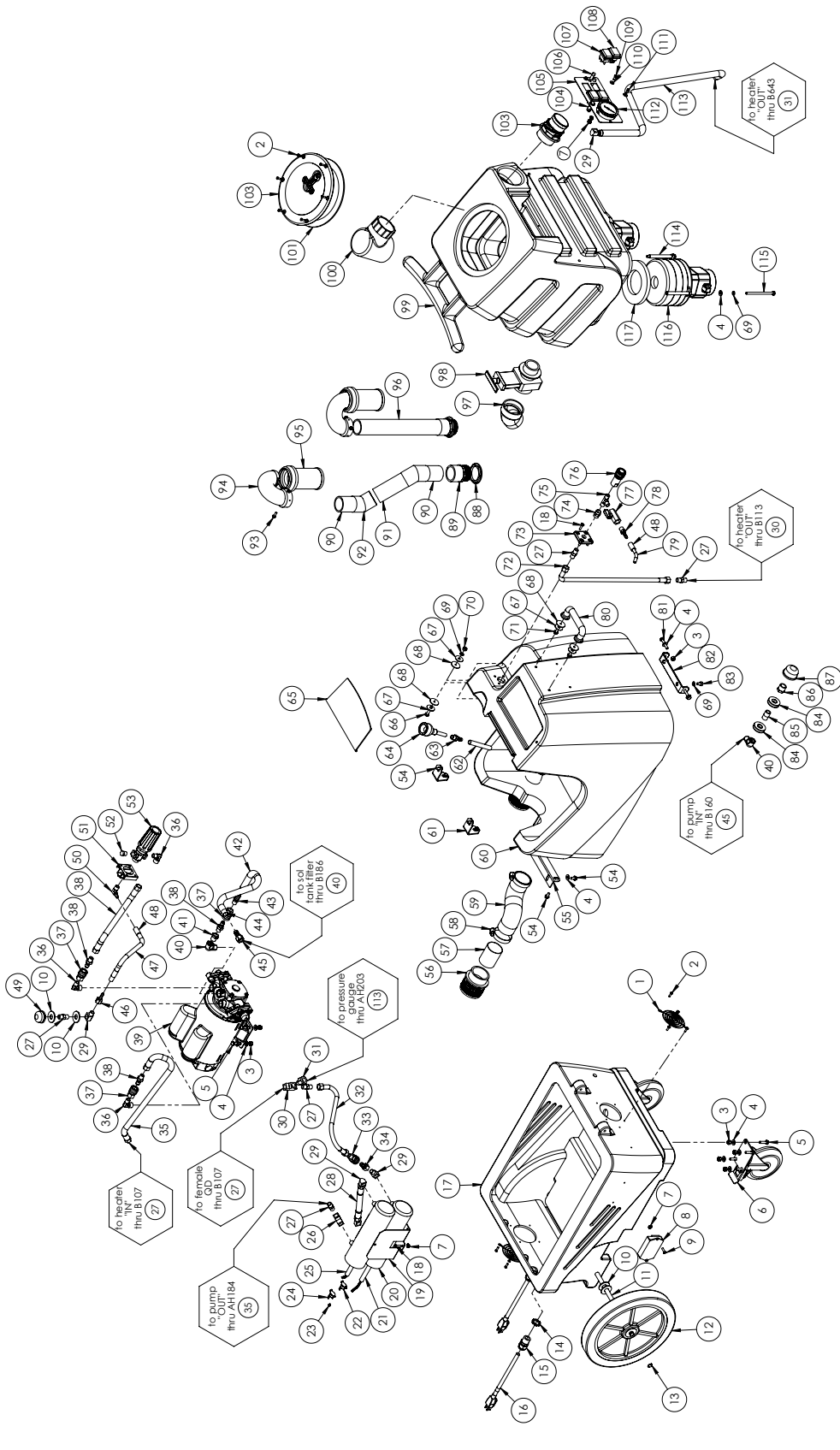
ITEMS NOT SHOWN	PART NO.	DESCRIPTION	QTY.	MSRP
	P568A	card, lock, 3 (on 1/2")	2	\$8.99
	P568B	collar, 1/4" (on 1/2")	1	\$2.99
	P568C	collar, 1/4" (on 1/2")	1	\$2.99
	P568D	collar, 1/4" (on 1/2")	1	\$2.99
	P568E	collar, 1/4" (on 1/2")	1	\$2.99
	P568F	collar, 1/4" (on 1/2")	1	\$2.99
	P568G	collar, 1/4" (on 1/2")	1	\$2.99
	P568H	collar, 1/4" (on 1/2")	1	\$2.99
	P568I	collar, 1/4" (on 1/2")	1	\$2.99
	P568J	collar, 1/4" (on 1/2")	1	\$2.99
	P568K	collar, 1/4" (on 1/2")	1	\$2.99
	P568L	collar, 1/4" (on 1/2")	1	\$2.99
	P568M	collar, 1/4" (on 1/2")	1	\$2.99
	P568N	collar, 1/4" (on 1/2")	1	\$2.99
	P568O	collar, 1/4" (on 1/2")	1	\$2.99
	P568P	collar, 1/4" (on 1/2")	1	\$2.99
	P568Q	collar, 1/4" (on 1/2")	1	\$2.99
	P568R	collar, 1/4" (on 1/2")	1	\$2.99
	P568S	collar, 1/4" (on 1/2")	1	\$2.99
	P568T	collar, 1/4" (on 1/2")	1	\$2.99
	P568U	collar, 1/4" (on 1/2")	1	\$2.99
	P568V	collar, 1/4" (on 1/2")	1	\$2.99
	P568W	collar, 1/4" (on 1/2")	1	\$2.99
	P568X	collar, 1/4" (on 1/2")	1	\$2.99
	P568Y	collar, 1/4" (on 1/2")	1	\$2.99
	P568Z	collar, 1/4" (on 1/2")	1	\$2.99



MYTEE PRODUCTS, INC.  
 speedster  
 1003DX  
 SCALE: 1/8" = 1"

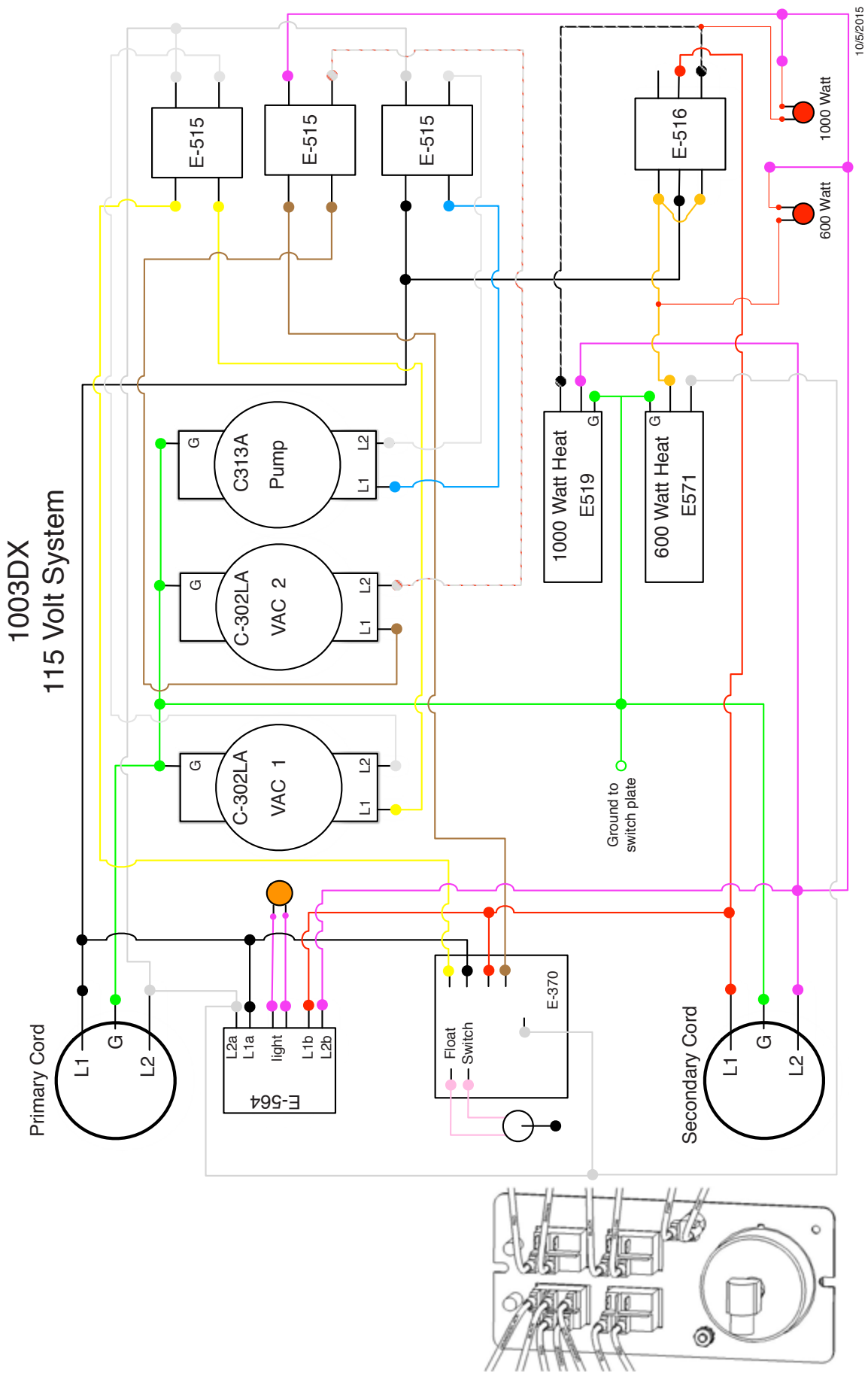
Part prices are subject to change.

# 1003DX SPEEDSTER PARTS & PRICING



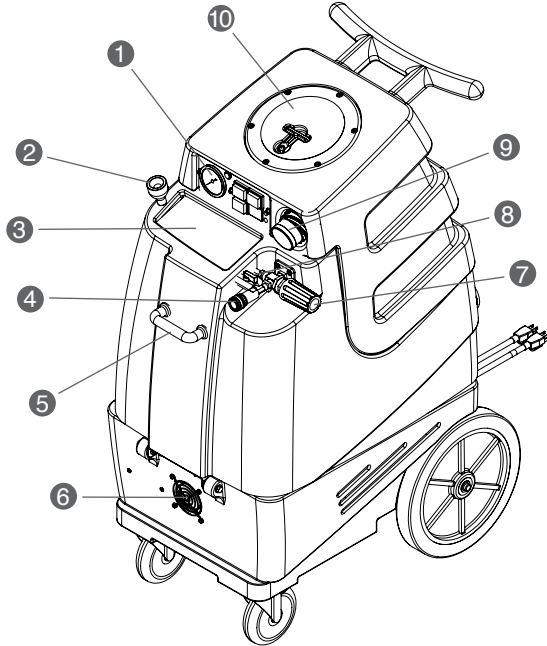
NAME	DATE	MYTEE PRODUCTS, INC.
DRAWN	10/20/13	1003DX
CHECKED		speedster
COMMENTS:		
<p><b>REVISIONS AND COMMENTS:</b>          THIS DRAWING IS THE PROPERTY OF MYTEE PRODUCTS, INC. ANY REPRODUCTION OR MODIFICATION OF THIS DRAWING WITHOUT THE WRITTEN PERMISSION OF MYTEE PRODUCTS, INC. IS PROHIBITED.</p>		
SIZE	DWG. NO.	REV
C	1003DX	G
SCALE:	1:48	SHEET 2 OF 3

# 1003DX SPEEDSTER WIRING SCHEMATIC



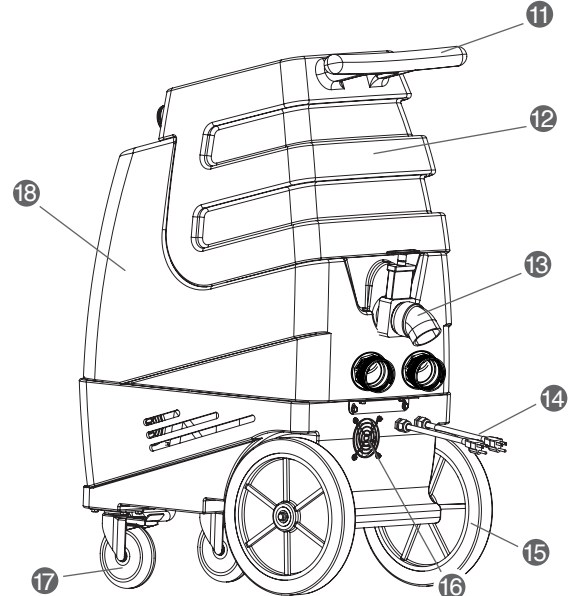
# 1005DX SPEEDSTER

## 1005DX SPEEDSTER® FRONT



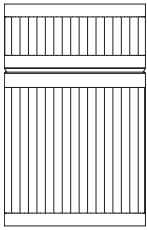
- |                            |                       |
|----------------------------|-----------------------|
| 1. Switch plate            | 6. Front vent         |
| 2. Easy faucet fill        | 7. Pressure Regulator |
| 3. Solution lid            | 8. Prime Valve        |
| 4. Female quick disconnect | 9. 2" Male Cuff-Lynx™ |
| 5. Front handle            | 10. Recovery lid      |

## 1005DX SPEEDSTER® BACK

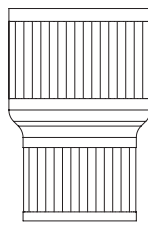


- |                      |                        |
|----------------------|------------------------|
| 11. Push handle      | 16. Back vent          |
| 12. Recovery tank    | 17. 5" locking casters |
| 13. Drain valve      | 18. Solution tank      |
| 14. Dual Power cords |                        |
| 15. 12" Rear wheels  |                        |

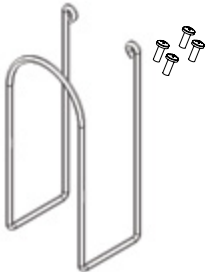
## ITEMS INCLUDED



H110 Cuff-Lynx™  
2" Hose Adapter



H141 Cuff-Lynx™  
2" Hose Reducer to 1.5"



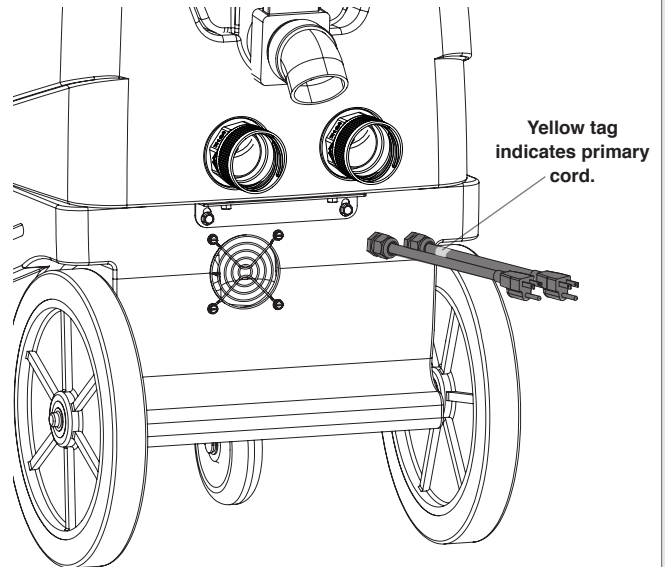
H375- Hose Hanger  
(4) screws



H226 Drain Elbow

## POWER CORD

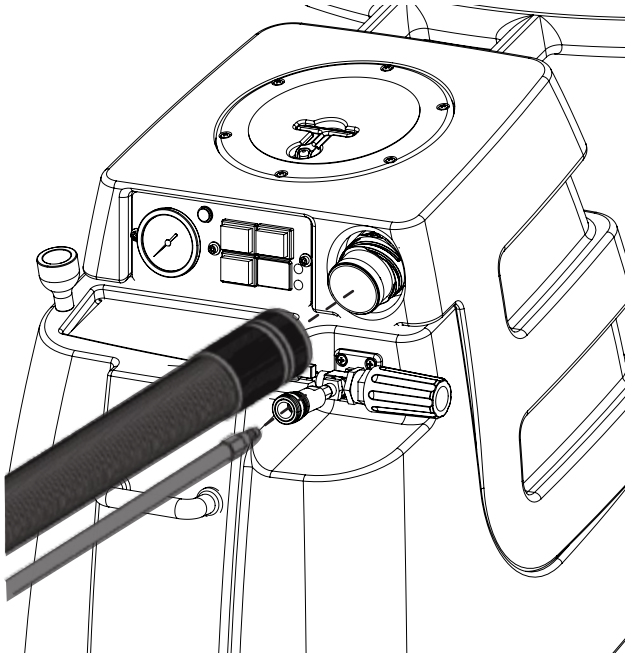
Left cord: Powers power Vac 2.  
Right cord: Powers Vac 1 & Pump.



Yellow tag  
indicates primary  
cord.

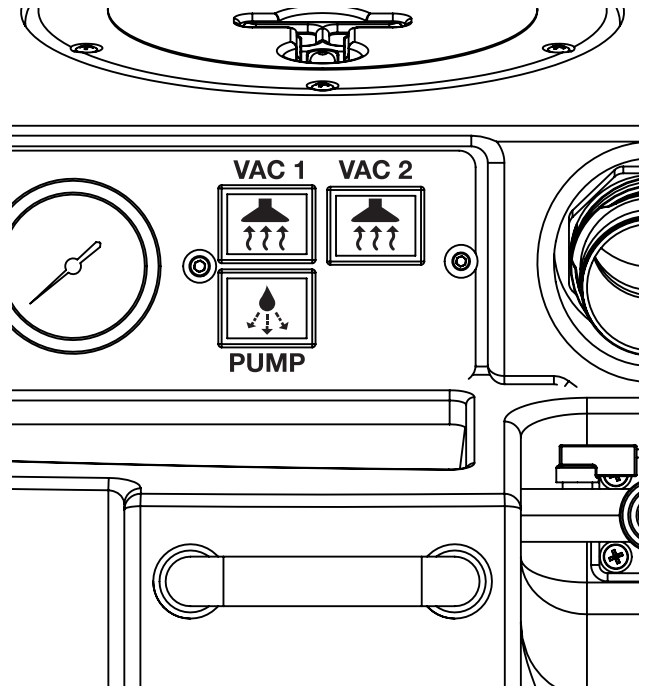
Plug each power cord into a separate, 20A grounded wall outlet. **Outlets must be on two separate breakers.** When the amber light on the switch plate illuminates, the machine is on separate circuits (not necessarily 20A circuits). You can identify the primary cord by the yellow tag.

## VACUUM AND SOLUTION HOSE CONNECTIONS



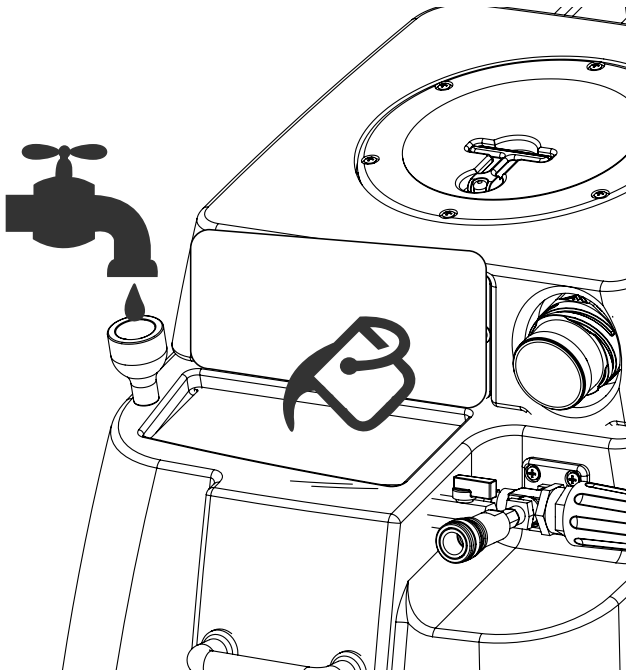
Attach one end of a solution hose to a wand or other tool, the other end to the Speedster's® front quick disconnect. Attach one end of a vacuum hose to the tool, the other end to the Speedster's® Cuff-Lynx™ vacuum hose port.

## SWITCH PLATE



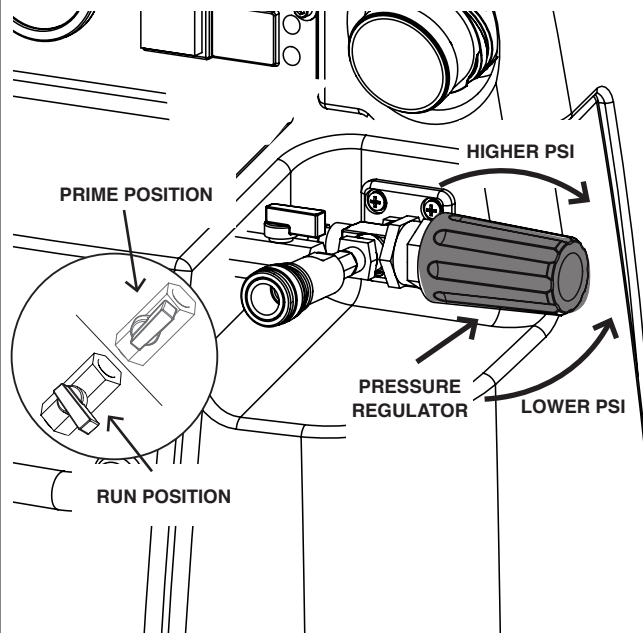
"On" switches are located on the plate in front of the machine. To use vacuums, turn on Vac 1 and Vac 2 switches. To use pump, turn on Pump switch. Bottom right switch has no use.

## FILLING THE SOLUTION TANK



Lift lid and manually fill the solution tank or use the easy faucet fill. **IMPORTANT: Before refilling the solution tank, make sure the recovery tank is empty.**

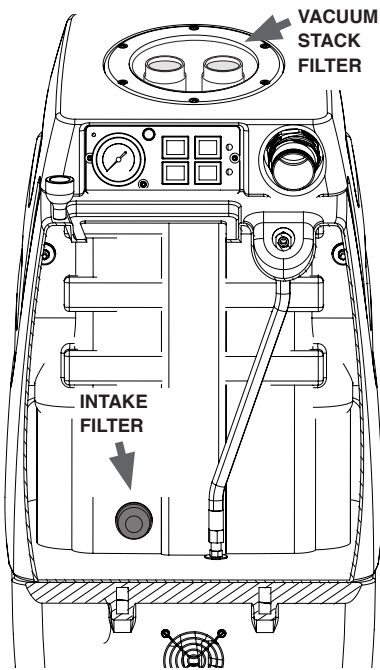
## PRIME VALVE & PRESSURE REGULATOR



Prime the pump by turning the valve to the Prime position (as shown above) for 30 seconds, then turn right to the Run position. Turn the Pressure Regulator to the left to decrease water pressure. Turn the Pressure Regulator to the right to increase water pressure.

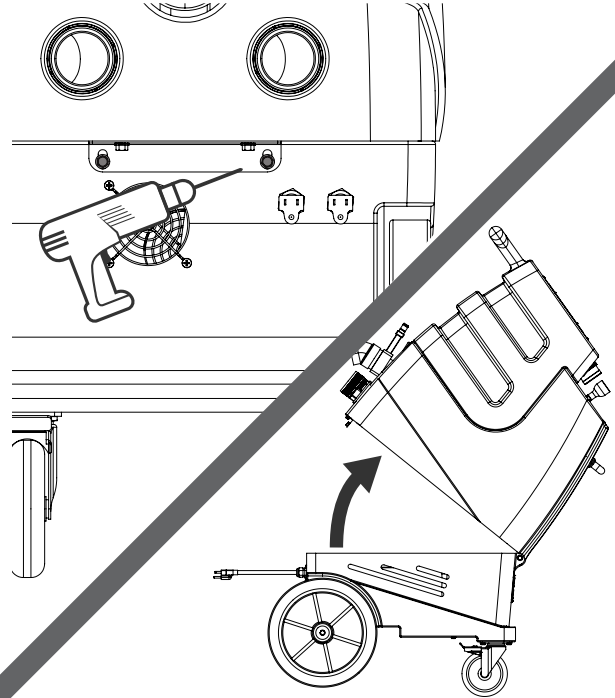


## FILTER MAINTENANCE



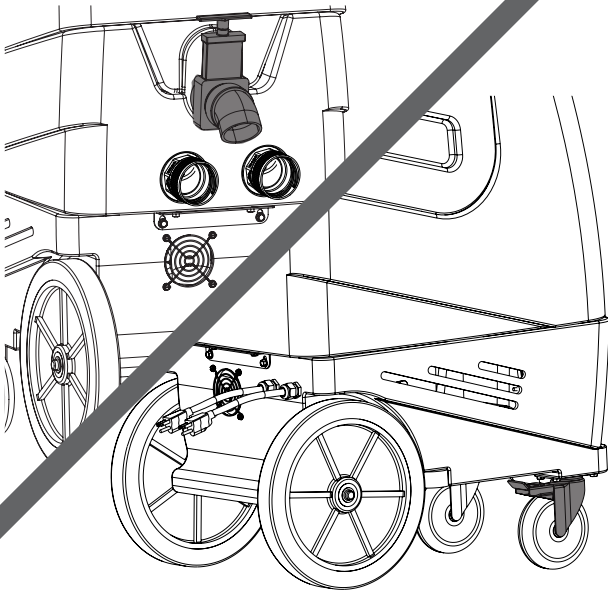
Check and clean the vacuum stack filters and solution tank filter daily by twisting off, rinsing with clean water and replacing.

## OPENING THE SPEEDSTER®



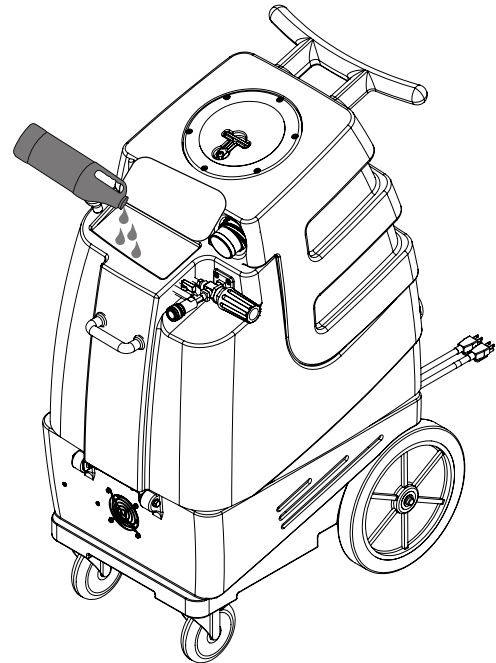
To open your Speedster® for maintenance, use a drill with a 3/8" bit to remove the bolts holding the Speedster's® body together. Lift up on the push handle to open the machine.

## DUMP VALVE & LOCKING CASTERS



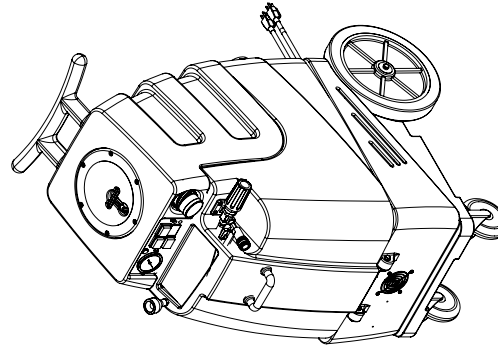
Above, empty the recovery tank by attaching the 45° drain elbow to the drain spout in back. Lift up the dump valve and empty the tank. Below, locking casters help keep the machine remain stationary during use.

## MYTEE® SYSTEM MAINTAINER



Weekly flushing of the solution system with Mytee® System Maintainer helps keep lines clean and prevents chemical build-up, improving pump life, performance and pressure.

# 1005DX SPEEDSTER PARTS & PRICING



NAME	DATE	MYTEE PRODUCTS, INC.
DRAWN	10/2013	
CHECKED		
TITLE: speedster		
SIZE	DWG. NO.	REV
C	1005DX	F
SCALE: 1:8		
SHEET 1 OF 3		

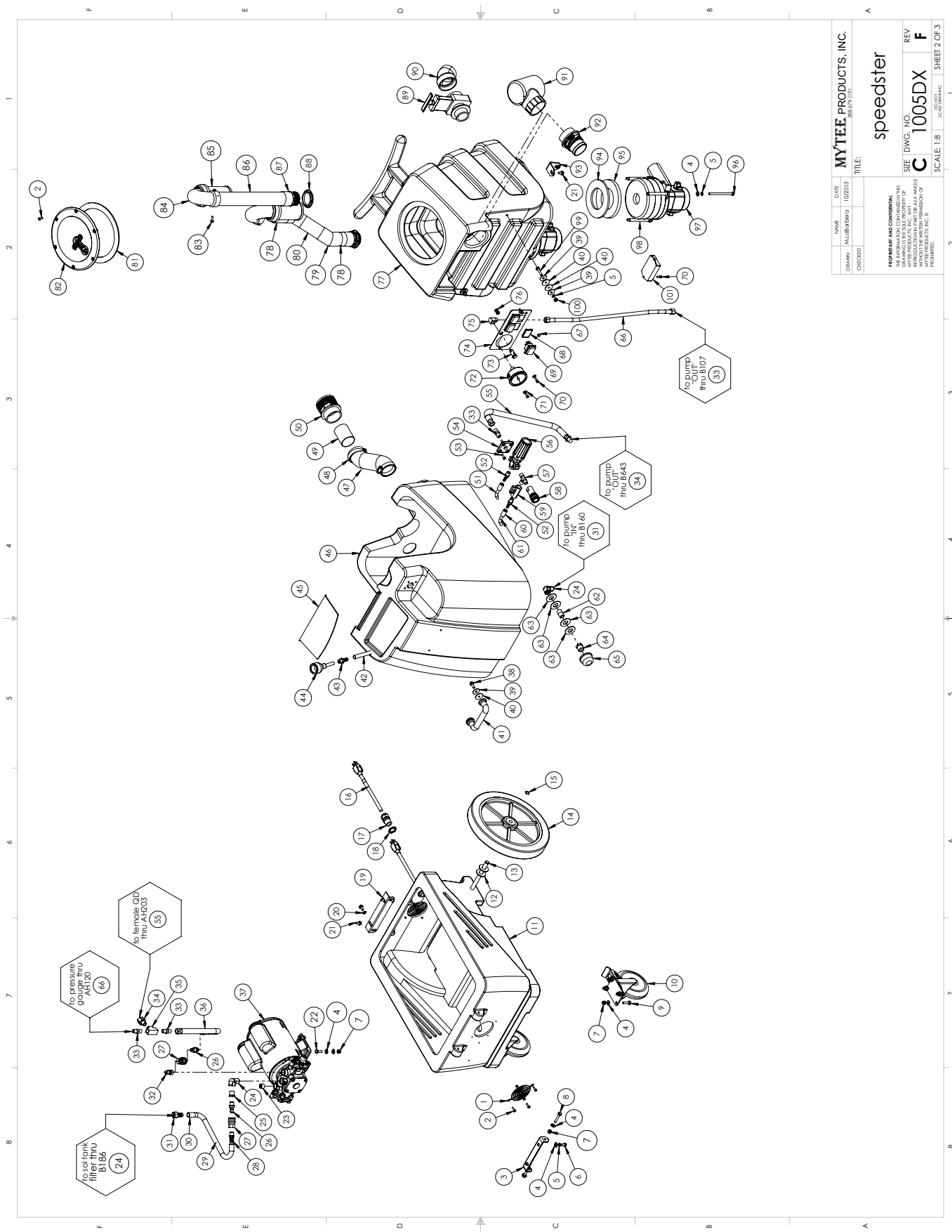
ITEM NO.	PART NO.	DESCRIPTION	QTY.	MSRP
1	H296	guard, cooling fan, wire	2	\$2.99 ea
2	H304	screw, 8 x 5/8", phl oval, s/s	14	\$0.99 ea
3	H378	bracket, front hinge, sp/fib	1	\$8.99 ea
4	H210	washer, 1/4" flat, s/s	26	\$0.99 ea
5	H213	washer, 1/4" lock, s/s	10	\$0.99 ea
6	H201	bolt, 1/4-20 x 1/2", hex head, zinc	2	\$0.99 ea
7	H216	nut, lock, 1/4-20, nylon insert, s/s	14	\$0.99 ea
8	H316	bolt, 1/4x1-1/2", hex head zinc	2	\$0.99 ea
9	H342	bolt, 1/4-20 x 1", hex head, s/s	8	\$0.99 ea
10	H666	caster, 5", black hub & gray head	2	\$23.19 ea
11	P731	base	1	\$141.99 ea
12	H254	washer, axle, cut 1/2" id	4	\$0.99 ea
13	H371	axle, 18.03" x .50" dia	2	\$4.99 ea
14	H251	wheel, 12"	2	\$1.99 ea
15	H042	c-clip, 12mm, external	2	\$0.99 ea
16	E550	power cord, pigtail, 30', 12/3, black	2	\$11.49 ea
17	H220	filting, strain relief, cord	2	\$3.19 ea
18	H221	nut, lock, 1/2" steel	2	\$1.99 ea
19	H912	bracket, rear, fb/spy	1	\$9.99 ea
20	H307	washer, star, 1/4" steel zinc	2	\$0.99 ea
21	H770	bolt, 1/4-20 x 1/2" serrated hex flange, zinc	8	\$0.99 ea
22	H202	bolt, 1/4x20x3/4" hex head	4	\$0.99 ea
23	B246	plug, brass, 3/8" mpt, hex	1	\$1.99 ea
24	B186	elbow, brass, 90 deg, 3/8" mpt x 3/8" fmp	2	\$8.99 ea
25	B105	bushing, brass, 3/8" mpt x 1/4"	1	\$3.19 ea
26	B259A	qd, brass, 1/4" mtd x fpt	2	\$15.99 ea
27	B260A	qd, brass, 1/4" fad x fpt	2	\$8.99 ea
28	B644	adapter, brass, 1/2" barb x 1/4" mpt	1	\$2.49 ea
29	PH615-37	sol hose, 1/2" kun, 100 psi	1	\$8.99 ft
30	B173	female, 1/2", brass	2	\$0.99 ea
31	B160	adapter, brass, 1/2" barb x 3/8" fsw, ball end	1	\$3.49 ea
32	B652	elbow, brass, 90 deg, 3/8" mpt x 1/4" mpt	1	\$8.49 ea
33	B107	nipple, brass, 1/4" m, hex	3	\$3.19 ea
34	B643	adapter, brass, 3/8" fmp x 1/4" mpt	1	\$4.99 ea
35	B113	tee, brass, 1/4" fpt	1	\$6.99 ea
36	AH184	hose, pulse BLK 49'(OAL), 1/4" fsw x 1/4" fsw	1	\$19.99 ea
37	C313A	pump, CAT, 50-500 PSI, 120/240v	2	\$599.99 ea
38	H768	bolt, 1/4-20 x 3/4" serrated hex flange, zinc	2	\$0.99 ea
39	H211	washer, 1/4" id x 1" od, flat, s/s	6	\$0.99 ea
40	G052	washer, buna 1-1/8" od x 3/16" id	6	\$1.99 ea
41	H485	handle, aluminum grip, black	1	\$6.99 ea
42	PH612-60	clear tubing, 1/2" OD x 3/8" ID, faucet fill	1	\$1.99/ft
43	B241	adapter, brass, 3/8" barb x 1/4" mpt	1	\$1.99 ea
44	H178	faucet fill	1	\$10.99 ea
45	C018	cover, sol tank (sp)	1	\$12.99 ea
46	P732	sol tank	1	\$0.99 ea
47	PH628-24	vac hose, 2' wire reinforced, gray	2	\$8.99/ft
48	H217	clamp, hose, 2-1/4 dia	4	\$1.49 ea
49	H194	coupler, 2" dia x 2.5" length, s/s	2	\$10.00 ea
50	H124	Cuff-Lynx, 2" mpt x 2" female cuff	2	\$3.99 ea
51	PH634-20	sol hose, 1/4", 300 PSI	1	\$6.49 ft
52	B109	adapter, brass, 1/4" barb x 1/4" mpt	2	\$1.99 ea
53	H256	screw, 10-32 x 3/4", phl pan head, zinc	4	\$0.99 ea
54	H484	plate, mounting, QD	1	\$4.99 ea
55	AH203	hose, pulse BLK 49'(OAL), 1/4" fsw x 1/4" fsw	1	\$19.99 ea
56	C313C	regulator, 450 psi, silver spring	1	\$66.99 ea
57	B135	tee, brass, 1/4" mpt	1	\$5.49 ea
58	B102	qd, brass, 1/4" x 1/4" fpt	1	\$17.99 ea
59	B656	ball valve, 1/4"	1	\$13.49 ea
60	B170	female, 1/4" brass	2	\$0.99 ea
61	PH634-36	sol hose, 1/4", 300 PSI	1	\$6.49 ft
62	B216	nipple, brass, 3/8" x close	1	\$1.99 ea

### ITEMS NOT SHOWN

PART NO.	DESCRIPTION	QTY.	MSRP
A995	harness, electrical	1	\$78.99 ea
G008	piglet file	1	\$6.29 pak
H375	hanger, wire formed, hose	1	\$10.99 ea
H230	screw, 10-32 x 1/2", phl pan head, s/s	2	\$0.99 ea
H141	Cuff-Lynx, 2" to 1.5" reducer	1	\$3.99 ea
E530	power cord, ext 50', 12/3 black	2	\$74.99 ea
H110	Cuff-Lynx, 2" hose x 2" fem swivel Cuff-Lynx	1	\$3.99 ea
P568A	card lock, s-type	2	\$8.99 ea
ADM-SPEEDSTERS	manual, speedsters	1	

Part prices are subject to change.

# 1005DX SPEEDSTER PARTS & PRICING

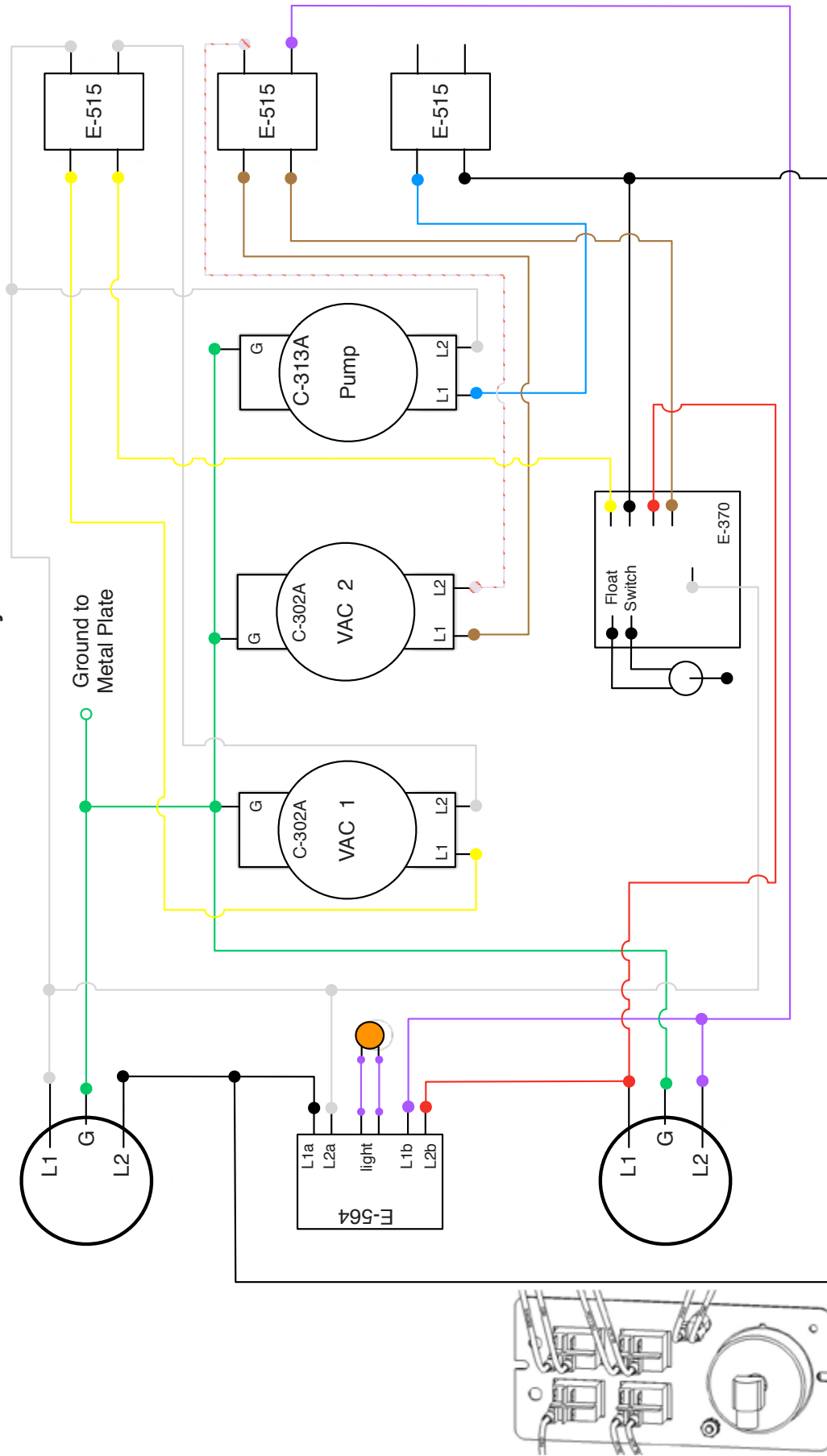


NAME	DATE	MYTEE PRODUCTS, INC.
DRAWN	10/2013	REVISED
CHECKED		TITLE:
speedster		
SIZE	DWG. NO.	REV
C	1005DX	F
SCALE: 1:8	SCALE: 1:8	SHEET 2 OF 3

**PROPRIETARY AND CONFIDENTIAL**  
 THIS DRAWING IS THE PROPERTY OF MYTEE PRODUCTS, INC. AND IS NOT TO BE REPRODUCED OR TRANSMITTED IN ANY FORM OR BY ANY MEANS, ELECTRONIC OR MECHANICAL, WITHOUT THE WRITTEN PERMISSION OF MYTEE PRODUCTS, INC.

# 1005DX SPEEDSTER WIRING SCHEMATIC

## 1005DX 115 Volt System



10/1/2015

# NOTES



Mytee Products Inc.  
13655 Stowe Dr.  
Poway, CA 92064  
[www.mytee.com](http://www.mytee.com)

© 2016 Mytee Products Inc.  
Printed in the U.S.A.