

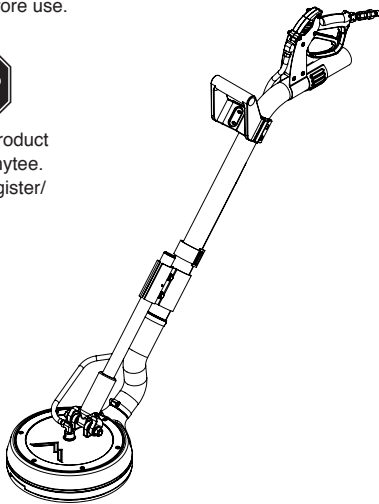
Instructions for 8901, 8902, 8903, 8904, and 8908 Spinner®



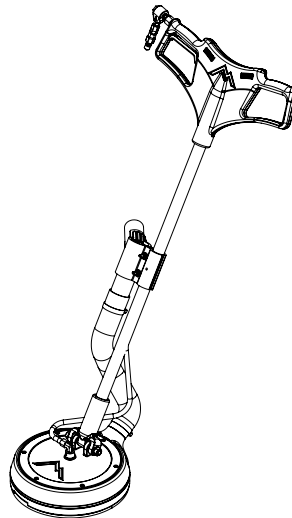
Please read before use.



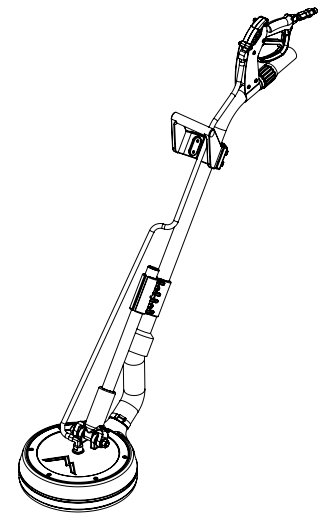
Register your product
at: <http://www.mytee.com/support/register/>



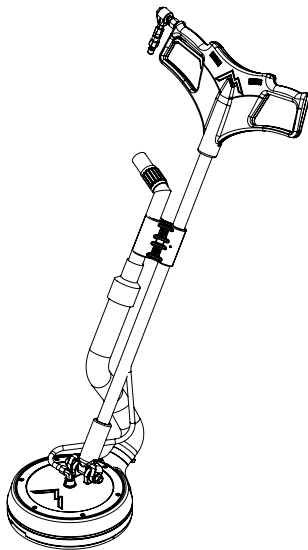
8901 - Wand handle, 2" tube



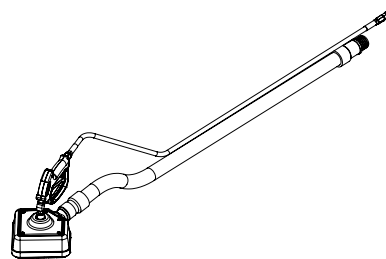
8902 - T-Handle, 2" tube



8903 - Wand handle, 1.5" tube



8904 - T-Handle, 1.5" tube



8908 - Counter Spinner®

[General information p.2](#)

[8901 p. 4](#)

[8902 p. 6](#)

[8903 p. 8](#)

[8904 p. 10](#)

[8908 p. 12](#)

Model # _____

Serial # _____

Form # ADP-SPIN

7-16

GENERAL INFORMATION

Dear Customer:

Congratulations on the purchase of your new Spinner®. As you are already aware, the scene of the equipment world is becoming more high tech, and we at Mytee Products Inc. strive to keep you on the cutting edge with superior quality and technology.

Keep in mind that the Spinner® is a machine, so neglect or abuse will cause unnecessary damage and void the warranty. However with simple maintenance the Spinner® will give quality performance for many years to come.

If warranty questions arise, please consult your user manual or get in touch with your distributor. If you have questions about maintenance, replacing parts or ordering parts, please call an authorized Mytee Products Inc. Service Center. To see an updated list, visit our website at www.mytee.com

Before you begin cleaning, please read your manual thoroughly.

Sincerely,
Mytee Customer Care Dept.

Parts and Service

Repairs, when required, should be performed by Mytee service personnel or Mytee authorized Service Center using Mytee original replacement parts and accessories. Call Mytee for repair parts or service. Please specify the Model and Serial Number when discussing your machine.

Name Plate

The Model and Serial Number of your machine are shown on the Nameplate on the back panel of the machine. This information is needed when ordering repair parts for the machine. Use the space provided on the front cover to note the Model and Serial Number of your machine for future reference.

Unpacking the Machine

When the machine is delivered, carefully inspect the shipping carton and the machine for damage. If damage is evident, save the shipping carton so that it can be inspected by the carrier that delivered it. Contact the carrier immediately to file a freight damage claim.

Caution and Warnings

Symbols

Mytee uses the symbols below to signal potentially dangerous conditions. Always read this information carefully and take the necessary steps to protect personnel and property.



DANGER

Is used to warn of immediate hazards that will cause severe personal injury or death.



WARNING

Is used to call attention to a situation that could cause severe personal injury.



CAUTION

Is used to call attention to a situation that could cause minor personal injury or damage to the machine or other property. When using an electrical appliance, basic precautions should always be followed, including the following: Read all instructions before using this machine. This product is intended for commercial use only.



WARNING

To reduce the risk of fire, electrical shock, or injury:

1. Read all instructions before using equipment.
2. Use only as described in this manual. Use only manufacturer's recommended attachments.
3. Always unplug or disconnect the appliance from power supply when not in use.
4. Do not allow to be used as a toy. Close attention is necessary when used by or near children.
5. Do not use in areas where flammable or combustible material may be present.
6. Do not leave the unit exposed to harsh weather elements. Temperatures below freezing may damage components and void warranty.
7. Use only the appropriate handles to move and lift unit. Do not use any other parts of this machine for this purpose.
8. Keep hair, loose clothing, fingers, and all parts of the body away from all openings and moving parts.
9. Use extra care when cleaning on stairs.
10. When cleaning and servicing the machine, local or national regulations may apply

to the safe disposal of liquids which may contain: chemicals, grease, oil, acid, alkalines, or other dangerous liquids.

11. Do not leave operating unattended.



CAUTION

Use only non-flammable liquid in this machine.

Preparation

1. Remove furniture from cleaning area, and sweep or vacuum.
2. Protect cabinets, carpets, walls and painted surfaces from spray with drop cloths or plastic.
3. Identification – Identify the type of floor you are going to clean. This step is vital, since each flooring type may call for different chemicals, brushes and equipment. Basic flooring types are: resilient (vinyl, VCT, linoleum), which is generally softer; stone (terrazzo, quarry, ceramic, brick, concrete) made of natural materials; and stone substitute (marble, slate and granite), which mimics stone.
4. Application – Once the flooring is identified, apply the appropriate type of cleaning (or in the case of resilient flooring, stripping) chemical. On tile surfaces, spray chemical evenly over tile and grout lines, allowing it to pool in the lines.
5. Emulsification – Chemicals typically require dwell time to remove the dirt and grime driven into the surface. The dirtier the floor, the longer the chemicals may need to dwell. Without proper dwell time, chemicals will not be effective.
6. Agitation and Elimination – Agitate the chemical into the floor to facilitate cleaning using a Spinner® floor machine connected to an extractor. The Spinner® lays down high-pressure spray to agitate and rinse, and vacuums up the solution simultaneously, eliminating it from the surface.

Spinner® Operation

1. Attach the Vacuum and Solution Hoses to the extractor.
2. Attach the Solution Hose to the Male Quick Disconnect and the Vacuum Hose to the Wand Tube.
3. Turn on the extractor to engage the vacuum, while making sure the bottom of the Spinner™ is flush with the cleaning surface to ensure proper suction.
4. Squeeze the Spinner's™ high-pressure trigger gun to dispense solution on to the surface.
5. Hold the machine at waist level and use a back-and-forth motion.

After Use

1. Unplug.
2. Inspect hoses and replaced if damaged.
3. After each use, wipe floor machine with a clean, soft, damp cloth.
4. Do not expose to rain.
5. Store indoors. In a clean, dry place.
6. Do not store sitting on brush.

Maintenance Schedule

Maintenance item	Daily	Once a week
Clean and inspect hoses	x	
Check for loose hardware	x	
Clean machine with clean, soft damp cloth	x	
Inspect spray jets once a week.		x
Use Mytee® System Maintainer 3601 every 100 hours. Circulate through the hose and tool.		x

Product Specifications

Spinner® Style	8901 2" Wand Style	8902 2" T-Handle	8903 1.5" Wand Style	8904 1.5" T-Handle	8908 Counter Spinner
Tube Construction	Stainless steel				1.5" Vacuum Hose
Cleaning Path	12"				7.5"
PSI Requirements	500 - 3,000 PSI				
Spray Jets	Dual 1502				
Product Weight	18 lbs.	17 lbs.	18 lbs.	16 lbs.	7 lbs.
Product Dimensions	12" x 14" x 52"	16" x 19" x 49"	12" x 14" x 52"	16" x 19" x 49"	11" x 9" x 9"

GENERAL INFORMATION

FAQs

Q – How much PSI do I need to operate the Spinner®?

A – Spinners® require between 500 and 3,000 PSI.

Troubleshooting

The Spinner® is not spinning.

1. Inspect the jets to make sure they are not clogged.
2. Check the machine for a normal flow of solution by disconnecting the Solution Hose from the Spinner® and letting the liquid run freely.
3. If the solution's flow is disrupted, use Mytee® System Maintainer 3601.
4. Try to spin the unit by hand. If it does not move, replace the swivel. If it moves, the seal may need rebuilding. Take the Spinner® to your local service center.

Guidelines

1. For ease of use, keep the brush and manifold balanced and flat.
2. Adjust the handle at a comfortable height for the operator; making sure the brush remains balanced before starting the extractor.
3. The Spinner® operates differently according to the surface. Smooth surfaces offer more resistance than surfaces such as tile and grout. If you experience resistance of movement, adjust the vacuum release slot to release air from the Vacuum Hose.

Replacement Parts

8901, 8902, 8903, and 8904

Brush & Glide Kit – No. A109

Glide – No. P500

Brush – No. G098

Swivel – No. H926

Rebuild Kit – No. H927

8908

Glide – No. P593

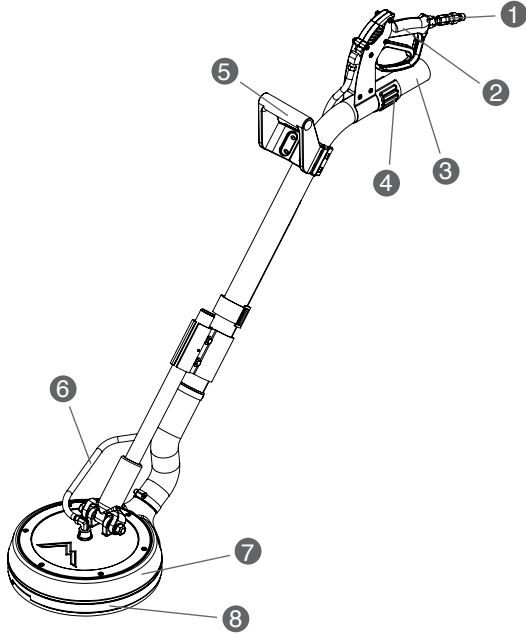
Brush – No. G111

Swivel – No. H926

Rebuild Kit – No. H927

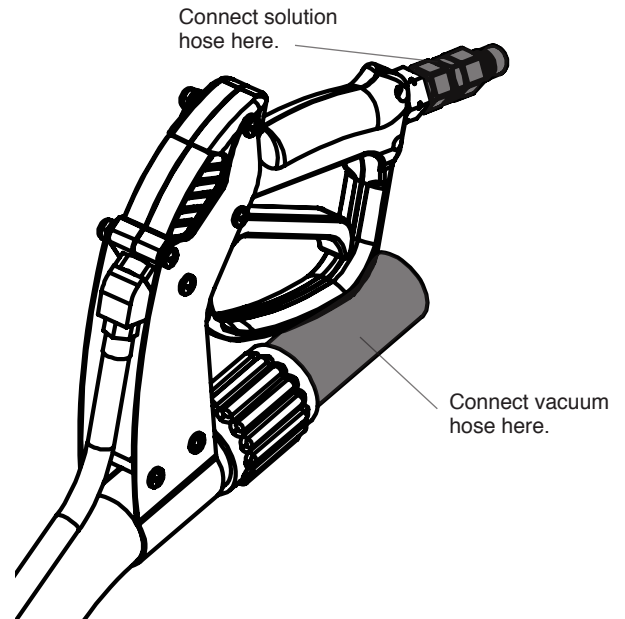
8901 WAND HANDLE, 2" TUBE SPINNER®

8901 FRONT



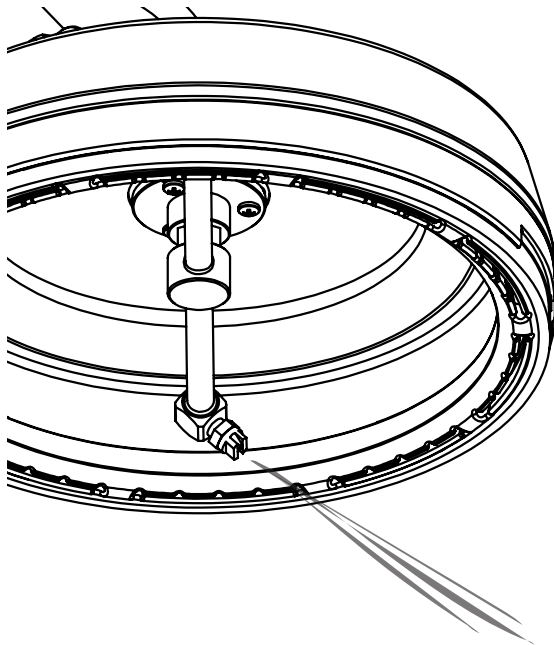
- | | |
|---------------------------|-------------------------------------|
| 1. Quick disconnect | 5. Wand grip handle |
| 2. High-pressure gun | 6. Hi-pressure solution hose |
| 3. Vacuum hose connection | 7. 12" Spinner® head |
| 4. Vac relief | 8. Nylon glide with removable brush |

VACUUM HOSE AND SOLUTION HOSE ATTACHMENT



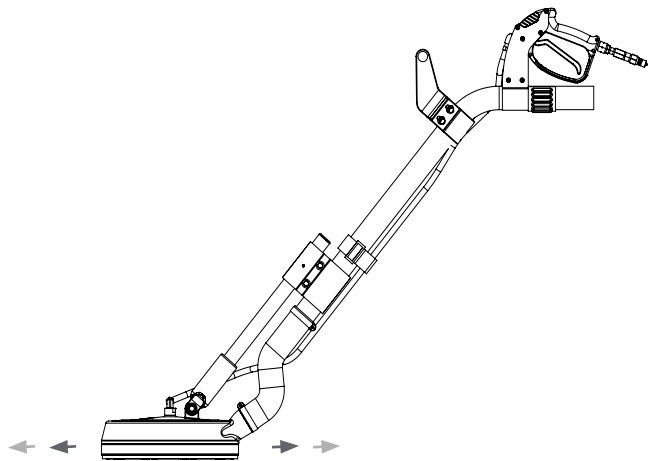
After the Vacuum Hose and Solution Hose are attached to the extractor, connect the Solution Hose to the Male Quick Disconnect, and the Vacuum Hose to wand tube.

JETS



After the extractor is turned on and vacuum is engaged, squeeze the High-Pressure Trigger Gun. Liquid flows through the Solution Hose and activates the Spinner Bar.

USE

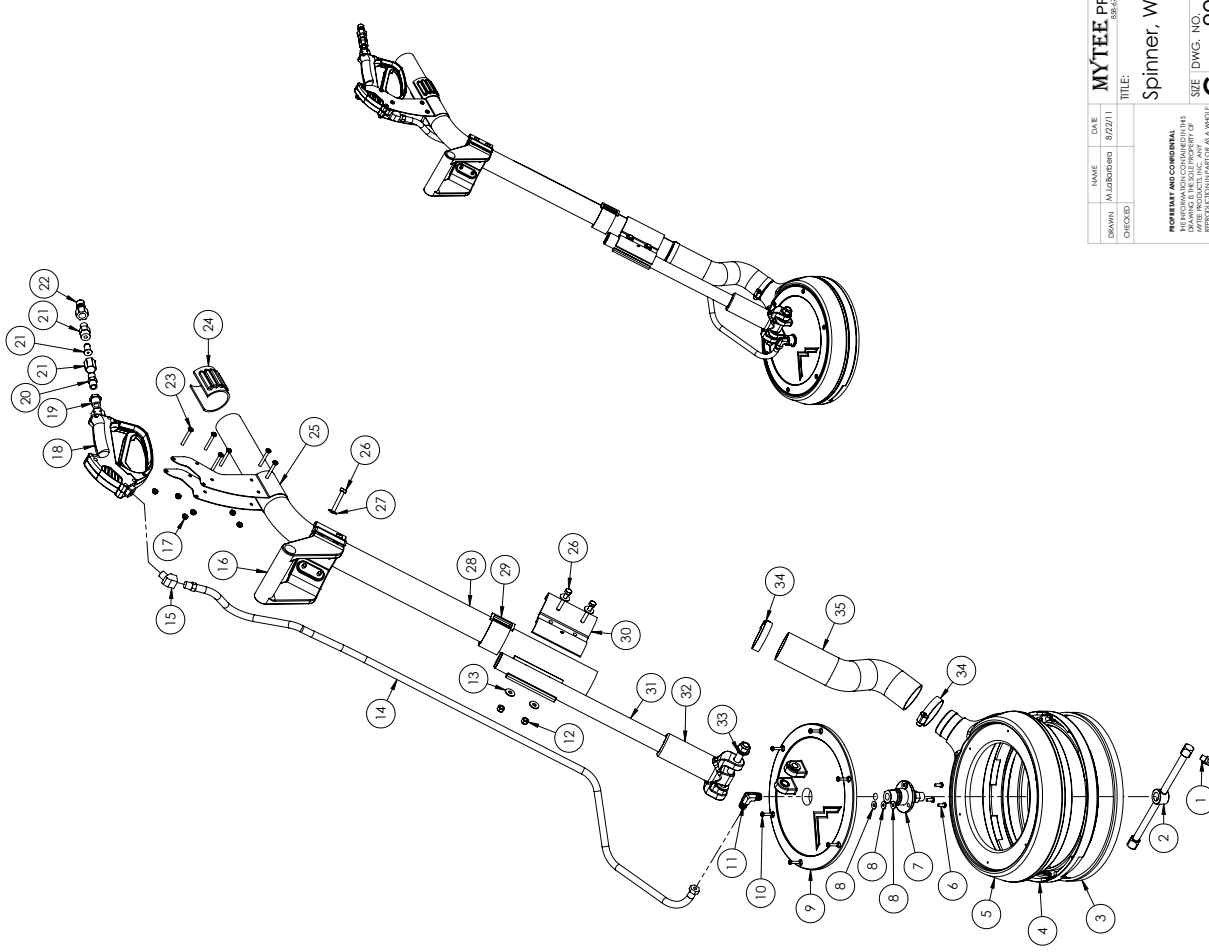


Hold the machine at waist level and use a back-and-forth motion.

8901 WAND HANDLE, 2" TUBE SPINNER®

NAME	DATE	MYTEE PRODUCTS, INC.
DRAWN	8/22/11	REVISED
CHECKED		
TITLE: Spinner, Wand Style, 2"		
SIZE	DWG. NO.	REV
C	8901	E
SCALE	1:6	SHEET 1 OF 2

PROPERTY AND CONFIDENTIALITY OF MYTEE PRODUCTS, INC. IS RESERVED. THIS DRAWING IS THE SOLE PROPERTY OF MYTEE PRODUCTS, INC. ANY REPRODUCTION OR DISTRIBUTION OF THIS DRAWING WITHOUT THE WRITTEN PERMISSION OF MYTEE PRODUCTS, INC. IS PROHIBITED.



ITEM NO.	PART NO.	DESCRIPTION	QTY.	MSRP
1	H505A	jet, s/s, 1/8", 1502	2	\$9.99 ea
2	H441	bar, 1, straight, .42 deg, 10"	1	\$129.99 ea
3	G098	brush, spinner ring	1	\$24.99 ea
4	P500	spinner ring, nylon	1	\$25.99 ea
5	P489A	manifold, 12" spinner, low profile	1	\$51.99 ea
6	H230	screw, 10-32 x 1/2", phil pan head, s/s	3	\$0.99 ea
7	H926	swivel, spinner	1	\$198.99 ea
8	H289	Washer # 10 flat, s/s	9	\$0.99 ea
9	H465A	mounting plate, 12", spinner	1	\$84.99 ea
10	H882	screw, 8 x 3/4 phil pan head, type a, s/s	6	\$0.99 ea
11	B136	elbow, brass, 90 deg, 1/4" mpt x 1/4" mpt	1	\$4.99 ea
12	H216	nut, lock, 1/4-20, nylon insert, s/s	2	\$0.99 ea
13	H210	washer, 1/4" flat, s/s	4	\$0.99 ea
14	AH206	sol hose, 1/4" x 48", 1/4 fsw x 1/4 mpt	1	\$21.99 ea
15	B130	45 deg, street elbow, brass, 1/4" male	1	\$5.49 ea
16	H600	grip, 2", dia, wand	1	\$24.99 ea
17	H458	nut, lock, 10-32, thin pattern	6	\$0.99 ea
18	H540	gun, high pressure	1	\$41.99 ea
19	B105	bushing, brass, 3/8"mpt x 1/4"	1	\$3.19 ea
20	B107	nipple, brass, 1/4"m, hex	1	\$3.19 ea
21	B247	filter, in-line, 100 mesh, 1/4" MPT x FPT	1	\$13.99 ea
22	B101	qd, brass, 1/4" m	1	\$8.49 ea
23	H457	screw, 10-32 x 1-1/2", p-pan	6	\$1.99 ea
24	G082A	sleeve, vac relief, 2", spin	1	\$16.99 ea
25	H614	clamp, gun style valve, 2" tube	1	\$0.99 ea
26	H204	bolt, 1/4-20 x 1 3/4" hex head, s/s	6	\$0.99 ea
27	H148	washer, 5/16", narrow	4	\$0.99 ea
28	H616A	tube, 2", spinner, upper handle	1	\$89.99 ea
29	G108	wrap, injector bottle	1	\$4.99 ea
30	H613	clamp, spinner handle, 2" x 1.25"	2	\$17.99 ea
31	H197	handle, lower, wand style spinner	1	\$17.99 ea
32	H102	yoke, spinner	1	\$11.99 ea
33	H008	set, bolt, 2 lock nuts, 4 washers	1	\$2.99 ea
34	H217	clamp, hose, 2-1/4 dia	2	\$1.49 ea
35	PH428-24	vac hose, 2", wire reinforced	1	\$8.99/ft

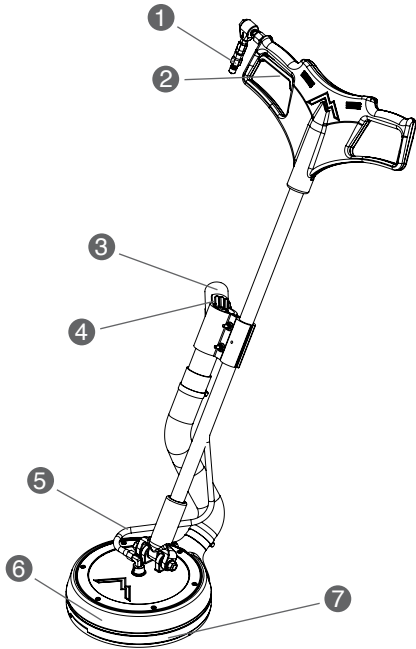
ITEMS NOT SHOWN

PART NO.	DESCRIPTION	QTY.	MSRP
G102	gasket, cork, 3/4" x 3", 1/8" thick	3	\$1.99 ea

Part prices are subject to change.

8902 "T" HANDLE, 2" TUBE SPINNER®

8902 FRONT

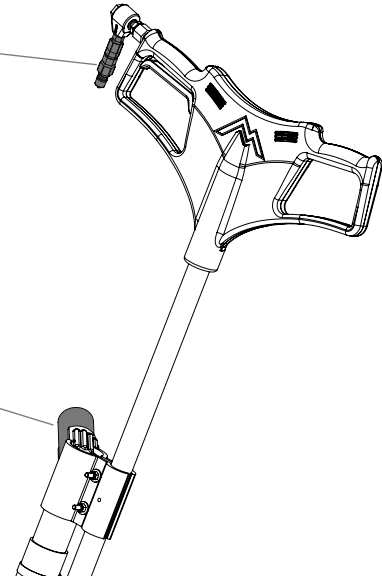


- | | |
|---------------------------|-------------------------------------|
| 1. Quick disconnect | 5. Hi-pressure solution hose |
| 2. High-pressure gun | 6. 12" Spinner® head |
| 3. Vacuum hose connection | 7. Nylon glide with removable brush |
| 4. Vac relief | |

VACUUM HOSE AND SOLUTION HOSE ATTACHMENT

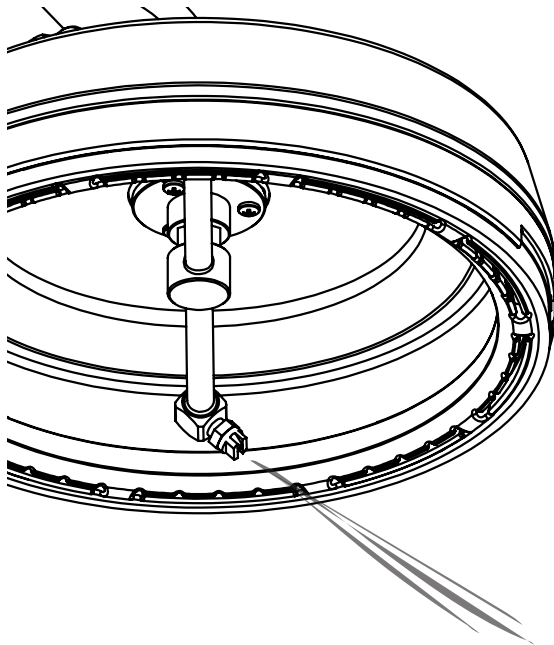
Connect solution hose here.

Connect vacuum hose here.



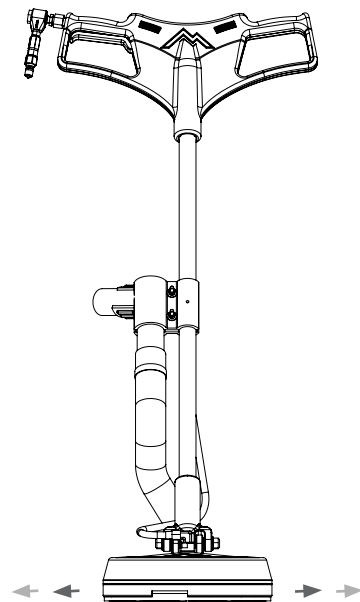
After the Vacuum Hose and Solution Hose are attached to the extractor, connect the Solution Hose to the Male Quick Disconnect, and the Vacuum Hose to wand tube.

JETS



After the extractor is turned on and vacuum is engaged, squeeze the High-Pressure Trigger Gun. Liquid flows through the Solution Hose and activates the Spinner Bar.

USE

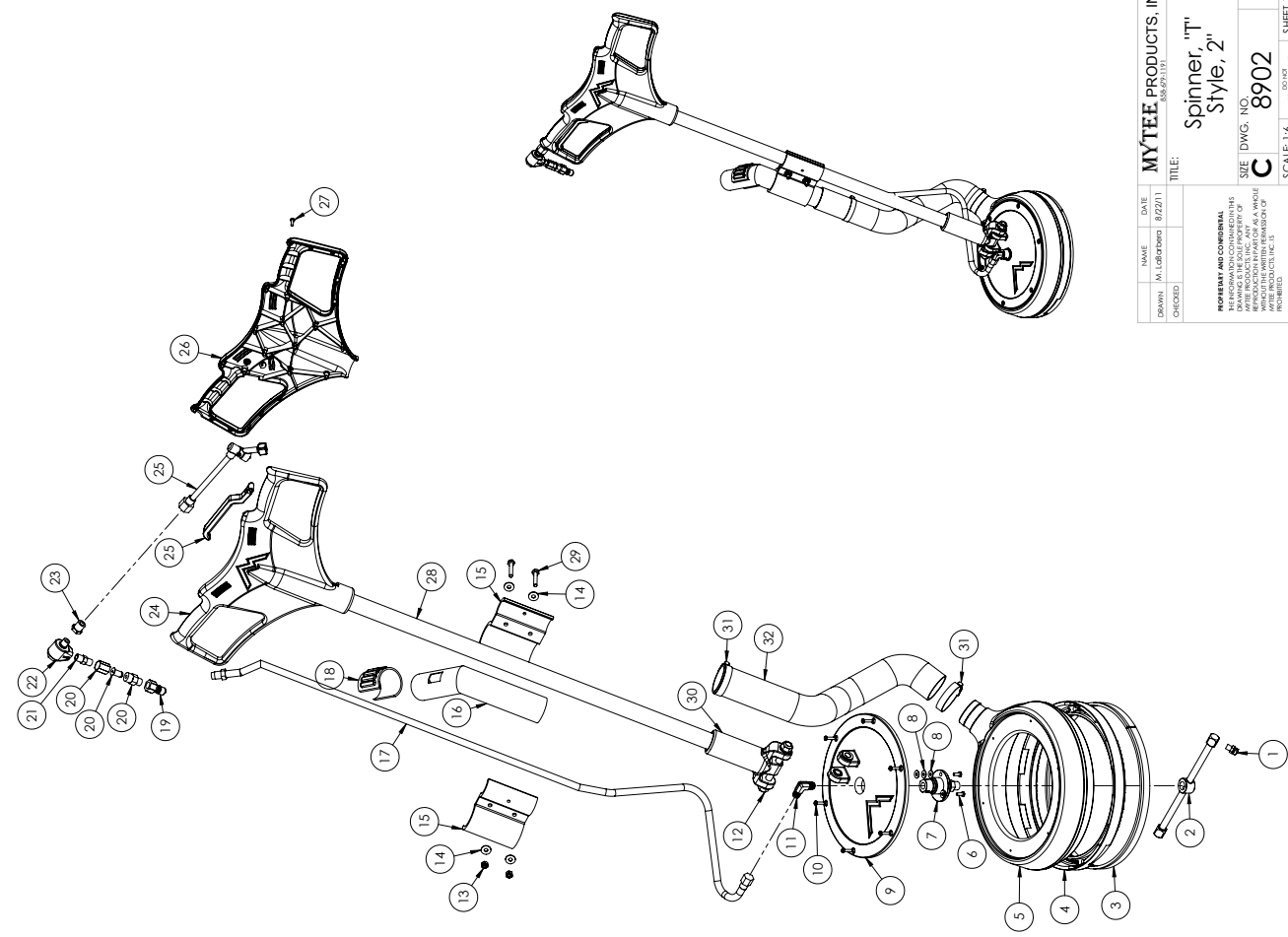


Hold the machine at waist level and use side to side.

8902 "T" HANDLE, 2" TUBE SPINNER®

NAME	DATE	MYTEE PRODUCTS, INC.
DRAWN	REVISED	
CHECKED		
TITLE: Spinner, "T" Style, 2"		
SIZE	DWG. NO.	REV.
C	8902	E
SCALE 1/4"	TOLERANCES	SHEET 1 OF 2

PROPERTY AND COMMERCIAL RIGHTS RESERVED. THIS DRAWING IS THE SOLE PROPERTY OF MYTEE PRODUCTS, INC. REPRODUCTION IN ANY MANNER WITHOUT THE WRITTEN PERMISSION OF MYTEE PRODUCTS, INC. IS PROHIBITED.



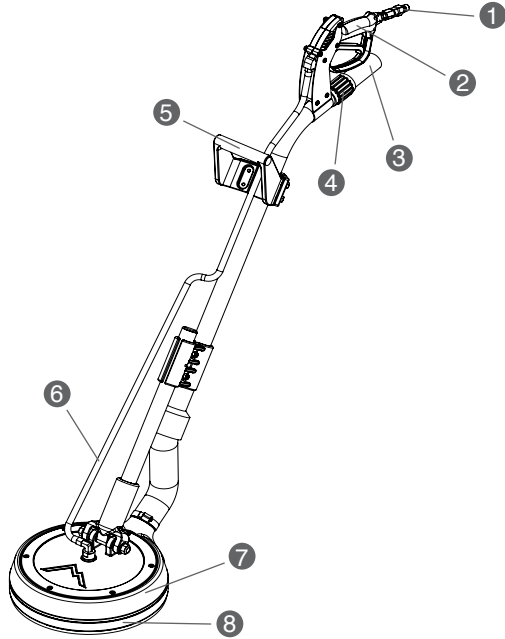
ITEM NO.	PART NO.	DESCRIPTION	QTY.	MSRP
1	H505A	jet, s/s, 1/8", 1502	2	\$9.99 ea
2	H441	bar, 1, straight, 42 deg, 10"	1	\$129.99 ea
3	G098	brush, spinner ring	1	\$24.99 ea
4	P500	spinner ring, nylon	1	\$25.99 ea
5	P489A	manifold, 12', spinner, low profile	1	\$51.99 ea
6	H230	screw, 10-32 x 1/2", phil pan head, s/s	3	\$0.99 ea
7	H926	swivel, spinner	1	\$198.99 ea
8	H289	Washer #10 flat, s/s	9	\$0.99 ea
9	H465A	mounting plate, 12' spinner	1	\$84.99 ea
10	H882	screw, 8 x 3/4 phil pan head, type a, s/s	6	\$0.99 ea
11	B136	elbow, brass, 90 deg, 1/4" mpt x 1/4" mpt	1	\$4.99 ea
12	H008	set; bolt, 2 lock nuts, 4 washers	1	\$2.99 ea
13	H216	nut, lock, 1/4-20, nylon insert, s/s	2	\$0.99 ea
14	H210	washer, 1/4" flat, s/s	4	\$0.99 ea
15	H613	clamp, spinner handle, 2" x 1.25"	2	\$17.99 ea
16	H093	tube, vac elbow, 2" dia	1	\$52.99 ea
17	AH206	sol hose, black 48" (OAL), fsw 1/4" x m 1/4"	1	\$21.99 ea
18	G082A	sleeve, vac relief, 2", spin	1	\$1.99 ea
19	B101	qd, brass, 1/4" m	1	\$8.49 ea
20	B247	filler, in-line, 100 mesh, 1/4" mpt x [pt	1	\$13.99 ea
21	B107	nipple, brass, 1/4" m, hex	1	\$3.19 ea
22	B100A	swivel, high pressure, stainless steel	1	\$45.99 ea
23	B105	bushing, brass, 3/8" mpt x 1/4"	1	\$3.19 ea
24	P578	handle, front half, spinner	1	\$25.99 ea
25	H540	gun, high pressure	1	\$41.99 ea
26	P579	handle, back half, spinner	1	\$19.99 ea
27	H155	screw, 8 x 5/8", phil pan, s/s	14	\$0.99 ea
28	H092	handle, "T", spinner	1	\$139.99 ea
29	H204	bolt, 1/4-20 x 1 3/4", hex head, s/s	2	\$0.99 ea
30	H102	yoke, spinner	1	\$11.99 ea
31	H217	clamp, hose, 2-1/4 dia	2	\$1.49 ea
32	PH628-24	vac hose, 2', wire reinforced	1	\$8.99/ft

ITEMS NOT SHOWN

PART NO.	DESCRIPTION	QTY.	MSRP
G102	gasket, cork, 3/4" X 3", 1/8" thick	3	\$1.99 ea

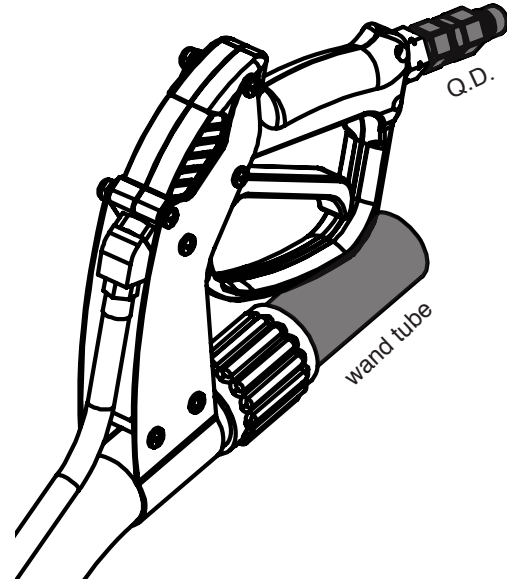
8903 WAND HANDLE, 1.5" TUBE SPINNER®

8901 FRONT



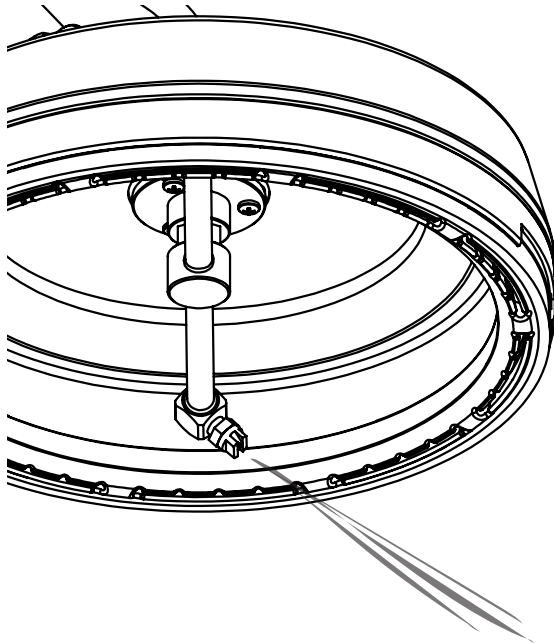
- | | |
|---------------------------|-------------------------------------|
| 1. Quick disconnect | 5. Wand grip handle |
| 2. High-pressure gun | 6. Hi-pressure solution hose |
| 3. Vacuum hose connection | 7. 12" Spinner® head |
| 4. Vac relief | 8. Nylon glide with removable brush |

VACUUM HOSE AND SOLUTION HOSE ATTACHMENT



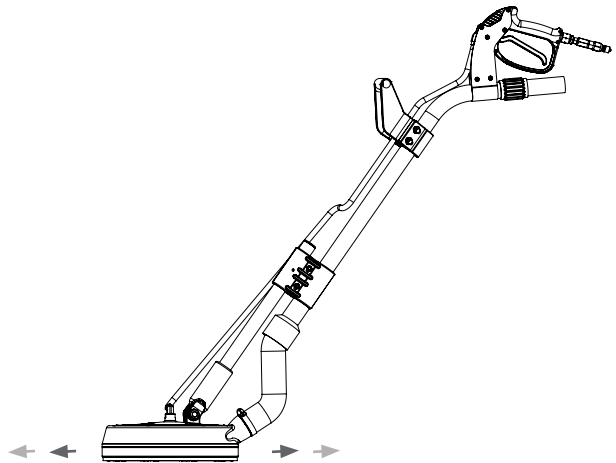
After the Vacuum Hose and Solution Hose are attached to the extractor, connect the Solution Hose to the Male Quick Disconnect, and the Vacuum Hose to wand tube.

JETS



After the extractor is turned on and vacuum is engaged, squeeze the High-Pressure Trigger Gun. Liquid flows through the Solution Hose and activates the Spinner Bar.

USE

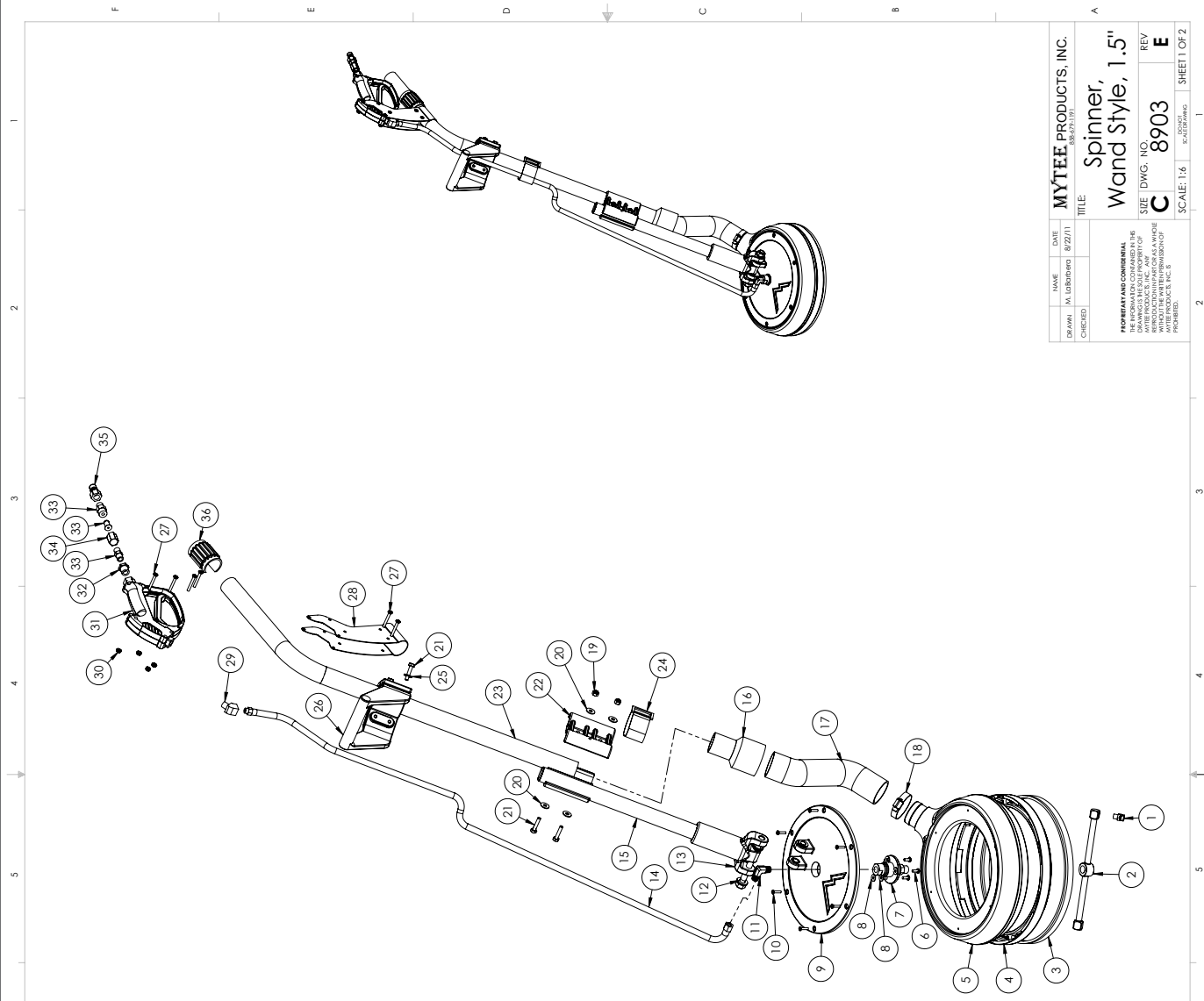


Hold the machine at waist level and use a back-and-forth motion.

8903 WAND HANDLE, 1.5" TUBE SPINNER®

NAME	DATE	MYTEE PRODUCTS, INC.
DRAWN	8/22/11	Spinner, Wand Style, 1.5"
CHECKED		REV
		C 8903
		SCALE: 1:1
		SHEET 1 OF 2

PROPERTY AND CONFIDENTIAL INFORMATION. THIS DRAWING IS THE SOLE PROPERTY OF MYTEE PRODUCTS, INC. AND IS NOT TO BE REPRODUCED, COPIED, OR TRANSMITTED IN ANY FORM OR BY ANY MEANS, WITHOUT THE WRITTEN PERMISSION OF MYTEE PRODUCTS, INC.



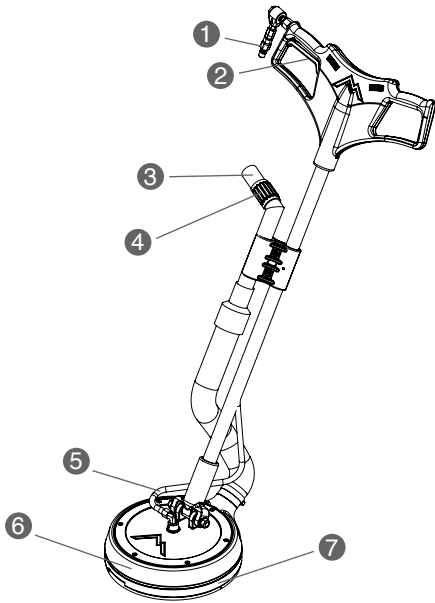
ITEM NO.	PART NO.	DESCRIPTION	QTY.	MSRP
1	H505A	jet, s/s, 1/8", 1502	2	\$9.99 ea
2	H441	bar, 1, straight, 42 deg, 10"	1	\$129.99 ea
3	G098	brush, spinner ring	1	\$24.99 ea
4	P500	spinner ring, nylon	1	\$25.99 ea
5	P689A	manifold, 12" spinner, low profile	1	\$51.99 ea
6	H230	screw, 10-32 x 1/2" phil pan head, s/s	3	\$0.99 ea
7	H926	swivel, spinner	1	\$198.99 ea
8	H289	Washer #10 flat, s/s	6	\$0.99 ea
9	H465A	mounting plate, 12" spinner	1	\$84.99 ea
10	H882	screw, 8 x 3/4 phil pan head, type a, s/s	6	\$0.99 ea
11	B136	elbow, brass, 90 deg, 1/4" mpt x 1/4" mpt	1	\$4.99 ea
12	H008	set, bolt, 2 lock nuts, 4 washers	1	\$2.99 ea
13	H102	yoke, spinner	1	\$11.99 ea
14	AH206	sol hose, 1/4" x 48", 1/4 fsw x 1/4 mpt	1	\$21.99 ea
15	H197	handle, lower, wand style spinner	1	\$17.99 ea
16	H498A	cuff, 2" thread x 1-1/2" slip	1	\$14.99 ea
17	PH628-24	hose, vac wire reinforced 2"	1	\$8.99/ft
18	H217	clamp, hose, 2-1/4 dia	1	\$1.49 ea
19	H216	nut, lock, 1/4-20, nylon insert, s/s	2	\$0.99 ea
20	H210	washer, 1/4" flat, s/s	4	\$0.99 ea
21	H203	bolt, 1/4-20 x 1-1/4"	6	\$0.99 ea
22	H613A	clamp, spinner handle, 1.5" x 1.25"	2	\$11.99 ea
23	H616	tube, 1.5" spinner, wand style	1	\$81.99 ea
24	G108	wrap, injector bottle	1	\$4.99 ea
25	H148	washer, 5/16", narrow	4	\$0.99 ea
26	H785	grp, 1.5" dia, wand	1	\$15.99 ea
27	H457	screw, 10-32 x 1-1/2", p-pan	6	\$0.99 ea
28	H614A	gun style valve clamp, 1.5"	1	\$16.99 ea
29	B130	45 deg street elbow, brass, 1/4" male	1	\$5.49 ea
30	H458	nut, lock, 10-32, thin pattern	6	\$0.99 ea
31	H540	gun, high pressure	1	\$41.99 ea
32	B105	bushing, brass, 3/8" mpt x 1/4"	1	\$3.19 ea
33	B107	nipple, brass, 1/4" m, hex	1	\$3.19 ea
34	B247	filter, in-line, 100 mesh, 1/4" MPT x FPT	1	\$13.99 ea
35	B101	qd, brass, 1/4" m	1	\$8.49 ea
36	G082	cap, vacuum relief slot (spin)	1	\$3.25 ea

ITEMS NOT SHOWN

PART NO.	DESCRIPTION	QTY.	MSRP
G102	gasket, cork, 3/4" x 3" x 1/8" thick	3	\$1.99 ea

8904 "T" HANDLE, 1.5" TUBE SPINNER®

8904 FRONT

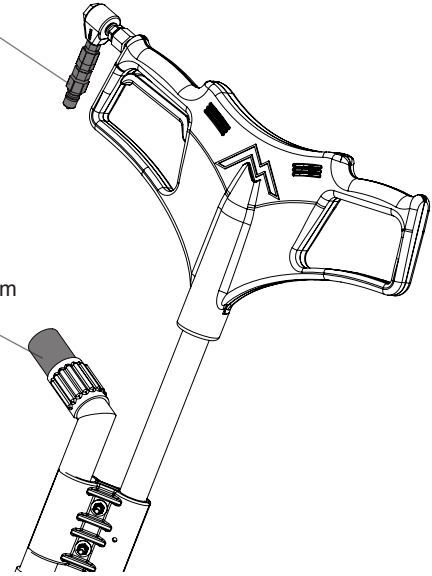


- | | |
|---------------------------|-------------------------------------|
| 1. Quick disconnect | 5. Hi-pressure solution hose |
| 2. High-pressure gun | 6. 12" Spinner® head |
| 3. Vacuum hose connection | 7. Nylon glide with removable brush |
| 4. Vac relief | |

VACUUM HOSE AND SOLUTION HOSE ATTACHMENT

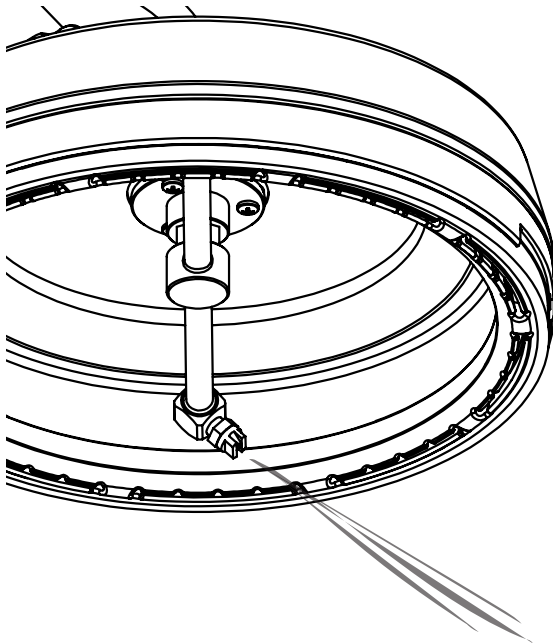
Connect solution hose here.

Connect vacuum hose here.



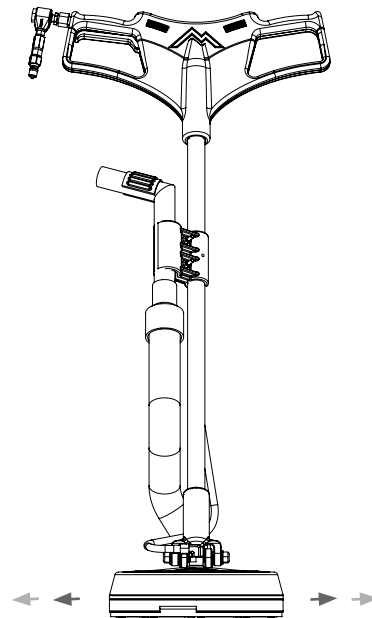
After the Vacuum Hose and Solution Hose are attached to the extractor, connect the Solution Hose to the Male Quick Disconnect, and the Vacuum Hose to wand tube.

JETS



After the extractor is turned on and vacuum is engaged, squeeze the High-Pressure Trigger Gun. Liquid flows through the Solution Hose and activates the Spinner Bar.

USE

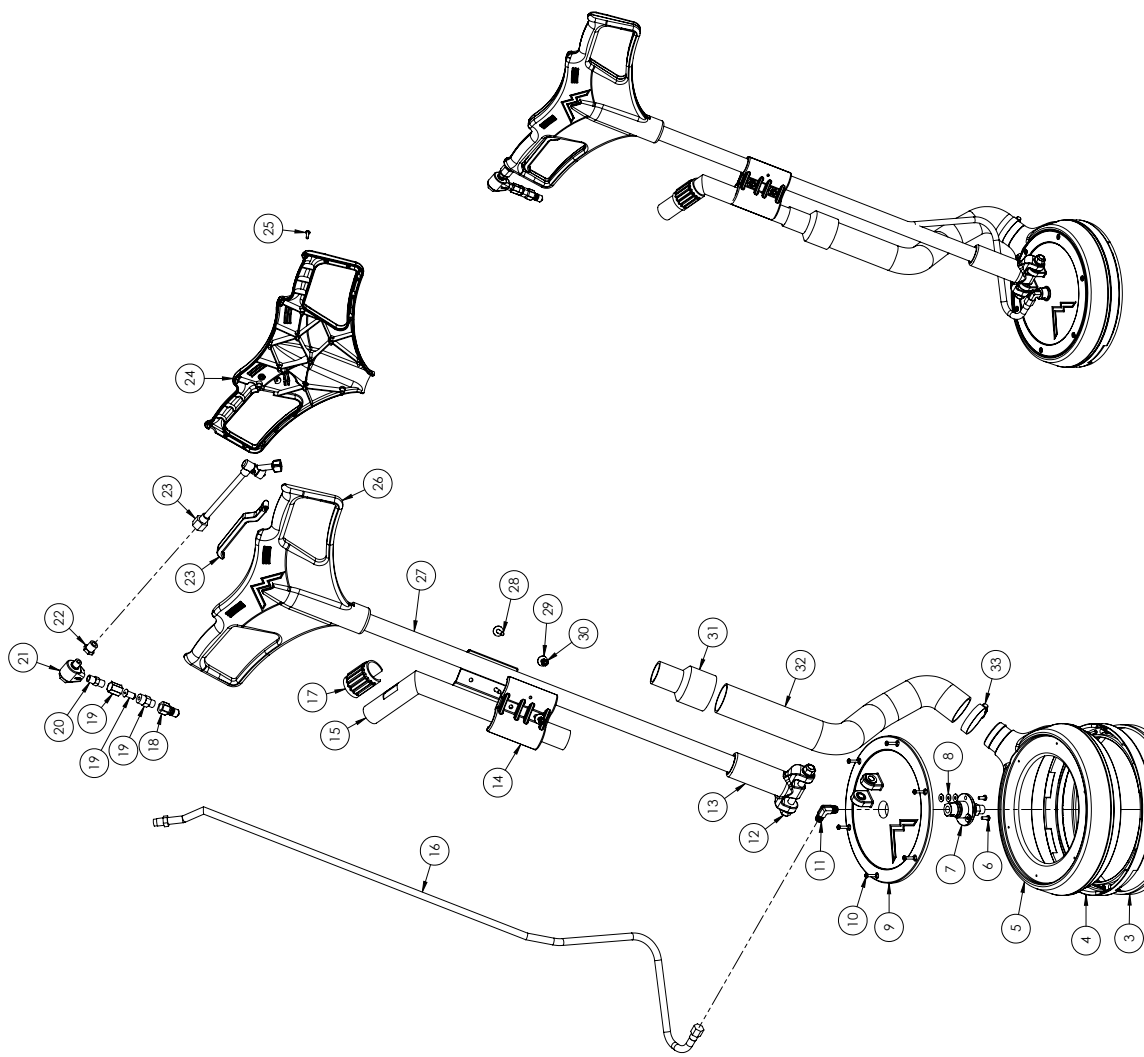


Hold the machine at waist level and use side to side.

8904 "T" HANDLE, 1.5" TUBE SPINNER®

NAME	DATE	MYTEE PRODUCTS, INC.
DRAWN	8/2013	REV
CHECKED		
TITLE Spinner, "T" Style, 1.5"		
SEE DWG. NO.	REV	
C 8904	C	
SCALE: 1:6	10082920	SHEET 1 OF 2

PROPERTY AND CONFIDENTIAL INFORMATION OF MYTEE PRODUCTS, INC. THIS DRAWING IS THE PROPERTY OF MYTEE PRODUCTS, INC. AND IS TO BE USED ONLY FOR THE PURPOSES INDICATED HEREON. NO PARTS OR INFORMATION HEREON ARE TO BE REPRODUCED OR TRANSMITTED IN ANY FORM OR BY ANY MEANS, ELECTRONIC OR MECHANICAL, INCLUDING PHOTOCOPYING, RECORDING, OR BY ANY INFORMATION STORAGE AND RETRIEVAL SYSTEM, WITHOUT THE WRITTEN PERMISSION OF MYTEE PRODUCTS, INC.



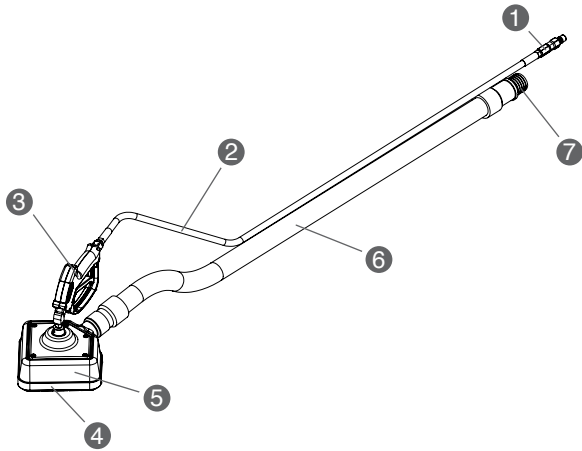
ITEM NO.	PART NO.	DESCRIPTION	QTY.	MSRP
1	H505A	jet, s/s, 1/8", 1.502	2	\$9.99 ea
2	H441	bar, 1, straight, .42 deg, 10"	1	\$129.99 ea
3	G098	brush, spinner ring	1	\$24.99 ea
4	F500	spinner ring, nylon	1	\$25.99 ea
5	F689A	manifold, 12" spinner, low profile	1	\$51.99 ea
6	H230	screw, 10-32 x 1/2" philpan head, s/s	3	\$0.99 ea
7	H926	swivel, spinner	1	\$198.99 ea
8	H289	washer #10 flat, s/s	9	\$0.99 ea
9	H465A	mounting plate, 12" spinner	1	\$84.99 ea
10	H882	screw, 8 x 3/4 phil pan head, type a, s/s	6	\$0.99 ea
11	B136	elbow, brass, 90 deg, 1/4" mpt x 1/4" mpt	1	\$4.99 ea
12	H108	set bolt, 2 lock nuts, 4 washers	1	\$2.99 ea
13	H102	yoke, spinner	1	\$11.99 ea
14	H613A	clamp, spinner handle, 1.5" x 1.25"	2	\$11.99 ea
15	H094	tube, vac, black, 48", 1.5" dia, spinner	1	\$48.99 ea
16	AH206	sol hose, black, 48" (OAL), fsw 1/4" x m 1/4"	1	\$21.99 ea
17	G082	cap, vacuum relief slot (spin)	1	\$3.25 ea
18	B101	qd, brass, 1/4" m	1	\$8.49 ea
19	B247	filter, in-line, 100 mesh, 1/4" mpt x fpt	1	\$3.19 ea
20	B107	nipple, brass, 1/4" m, hex	1	\$3.19 ea
21	B100A	swivel, high pressure, stainless steel	1	\$45.99 ea
22	B105	bushing, brass, 3/8" mpt x 1/4"	1	\$3.19 ea
23	H540	gun, high pressure	1	\$41.99 ea
24	P579	handle, back half, spinner	1	\$19.99 ea
25	H155	screw, 8 x 5/8" phil pan, s/s	14	\$0.99 ea
26	P578	handle, front half, spinner	1	\$25.99 ea
27	H092	handle, "T", spinner	1	\$139.99 ea
28	H204	bolt, 1/4-20 x 1 3/4" hex head, s/s	2	\$0.99 ea
29	H210	washer, 1/4" flat, s/s	4	\$0.99 ea
30	H216	nut, lock, 1/4-20, nylon insert, s/s	2	\$0.99 ea
31	H498A	cuff, 2" thread x 1-1/2" slip	1	\$14.99 ea
32	PH628-24	vac hose, 2", wire reinforced	1	\$8.99/ft
33	H217	clamp, hose, 2-1/4 dia	1	\$1.49 ea

ITEMS NOT SHOWN

PART NO.	DESCRIPTION	QTY.	MSRP
G102	gasket, cork, 3/4" x 3", 1/8" thick	3	\$1.99 ea

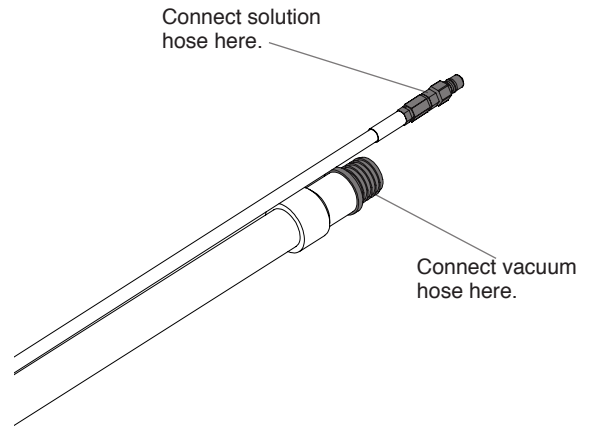
8908 COUNTER SPINNER®

8908 FRONT



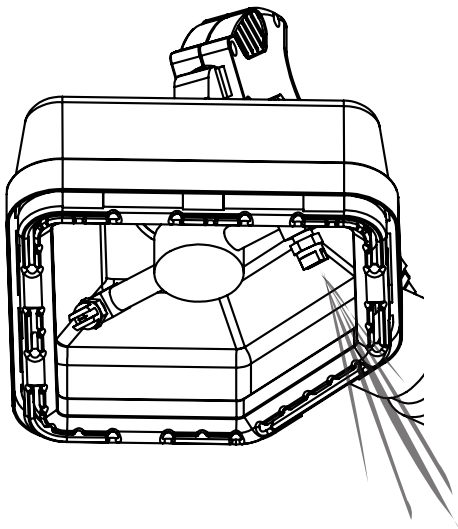
- | | |
|------------------------------|--------------------------------|
| 1. Male quick disconnect | 5. 6" Spinner® head |
| 2. Solution hose | 6. Vacuum hose |
| 3. High-pressure trigger gun | 7. Vacuum hose connection port |
| 4. Nylon glide | |

VACUUM HOSE AND SOLUTION HOSE ATTACHMENT



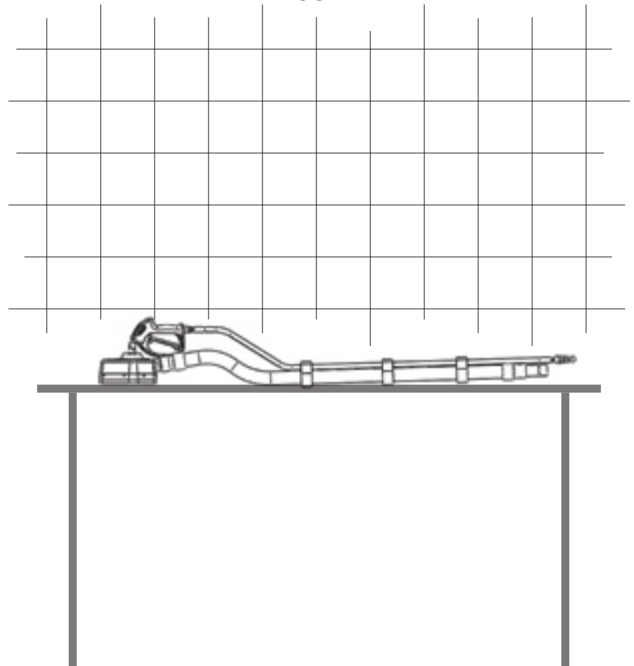
After the Vacuum Hose and Solution Hose are attached to the extractor, connect the Solution Hose to the Male Quick Disconnect, and the Vacuum Hose to wand tube.

JETS



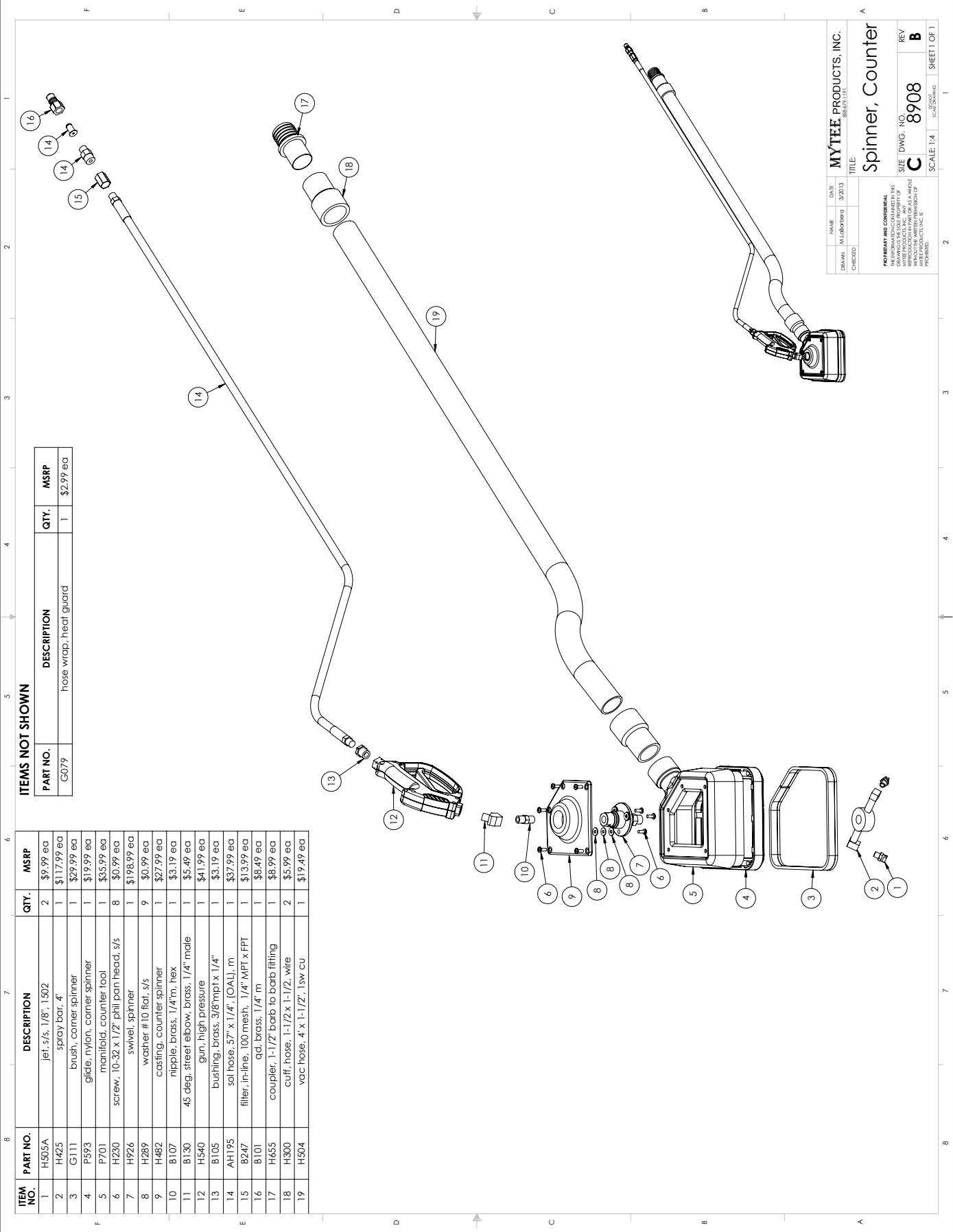
After the extractor is turned on and vacuum is engaged, squeeze the High-Pressure Trigger Gun. Liquid flows through the Solution Hose and activates the Spinner Bar.

USE



Use unit on counter top or other hard surface.

8908 COUNTER SPINNER®



DATE	3/2013
NAME	MYTEE, PRODUCTS, INC.
DRAWN	M. LORBERG
CHECKED	
TITLE: Spinner, Counter	
SIZE	DWG. NO. 8908
REV	B
SCALE: 1/4" = 1"	
SHEET 1 OF 1	

ITEMS NOT SHOWN

PART NO.	DESCRIPTION	QTY.	MSRP
G079	hose wrap, heat guard	1	\$2.99 ea

ITEM NO.	PART NO.	DESCRIPTION	QTY.	MSRP
1	H505A	jet, s/s, 1/8", 1.502	2	\$9.99 ea
2	H425	spray bar, 4"	1	\$17.99 ea
3	G111	brush, corner spinner	1	\$29.99 ea
4	P593	glide, nylon, corner spinner	1	\$19.99 ea
5	P701	manifold, counter tool	1	\$35.99 ea
6	H230	screw, 10-32 x 1/2" phill pan head, s/s	8	\$0.99 ea
7	H926	swivel, spinner	1	\$198.99 ea
8	H289	washer #10 flat, s/s	9	\$0.99 ea
9	H482	coating, counter spinner	1	\$27.99 ea
10	B107	ripple, brass, 1/4"m, hex	1	\$3.19 ea
11	B130	45 deg. street elbow, brass, 1/4" male	1	\$5.49 ea
12	H540	gun, high pressure	1	\$41.99 ea
13	B105	bushing, brass, 3/8 mpt x 1/4"	1	\$3.19 ea
14	AH195	sol hose, 57" x 1/4", [OAL], m	1	\$37.99 ea
15	B247	filter, in-line, 100 mesh, 1/4" MPT x FPT	1	\$13.99 ea
16	B101	qd. brass, 1/4" m	1	\$8.49 ea
17	H655	coupler, 1-1/2" barb to barb fitting	1	\$8.99 ea
18	H300	cuff, hose, 1-1/2 x 1-1/2, wire	2	\$5.99 ea
19	H504	vac hose, 4' x 1-1/2", 15m cu	1	\$19.49 ea

Part prices are subject to change.

NOTES



Mytee Products Inc.
13655 Stowe Dr.
Poway, CA 92064
www.mytee.com
FX 858.679.7814

© 2016 Mytee Products Inc.
Printed in the U.S.A.