

# Instructions for 8314T Bentley™ Carpet Wand



## Dear Customer:

Congratulations on the purchase of your new Bentley™ Carpet Wand! The scene of the equipment world is becoming more high tech, and we at Mytee Products Inc. strive to keep you on the cutting edge with superior quality and technology.

With simple maintenance the Bentley™ Carpet Wand will give quality performance for many years to come. Keep in mind that neglect or abuse to the Bentley™ will cause unnecessary damage and void the warranty. If warranty questions arise, please get in touch with your distributor from whom you purchased this equipment.

Before first use of your new product, please read this manual thoroughly. Thank you for choosing Mytee®!

## Parts & Service

Repairs, when required, should be performed by Mytee service personnel or a Mytee Authorized Service Center using original Mytee replacement parts and accessories. Please specify the Model and Serial Number when discussing your product. For a list of Authorized Mytee Service Centers, visit our website at [www.mytee.com](http://www.mytee.com).

## Pre-Operation

1. Vacuum and remove debris.
2. Pre-spray the area if desired.

## Operation

1. Attach the vacuum and solution hoses to the wand.
2. Turn on the extractor. If using a heated extractor, be sure to prime the pump before turning on the heater.
3. Begin cleaning using a back-and-forth motion. We recommend one wet pass followed by two dry passes.

## After Use

1. Squeeze the spray lever to clear any remaining solution from the hose line.
2. Store indoors. In a clean, dry place.
2. Do not expose to freezing conditions.

## Required Maintenance

You **must** lubricate the bearing mechanism on the wand head **monthly** (more often if bearing is subject to gritty waste flow that lodges in the bearing).  
**Proper maintenance of the swivel mechanism is crucial to function of wand and preservation of the factory warranty.**

**Instructions** (refer to the Parts List section of this manual):

1. Remove swivel nut (Item #19).
2. Remove the swivel (Item #18) and use a rag to wipe off old grease.
3. Apply new, industrial grease to the swivel (Item #18) and bushing (Item #17).
4. Reinstall the swivel and swivel nut.

## Troubleshooting

### There is weak or no solution flow.

1. Check to make sure there is solution in your extractor.
2. Inspect the jets to make sure they are not clogged.

## FAQs

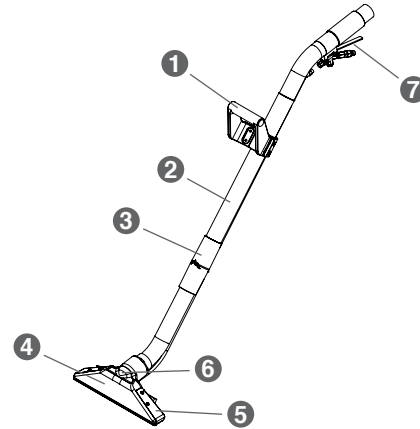
**Q: How much does the Bentley™ Wand weigh?**

A: 8 lbs.

**Q: Can I customize the Bentley™ Wand to my height?**

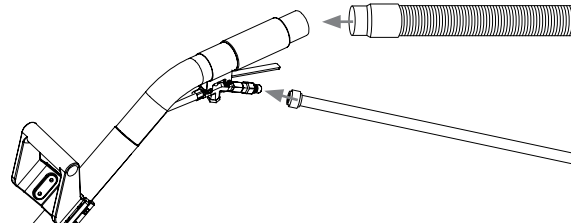
A: Yes. Please read the instructions on the following page. **Please Note:** Miscut tubing cannot be replaced and will void tubing warranty.

## 8314T Bentley™ Features



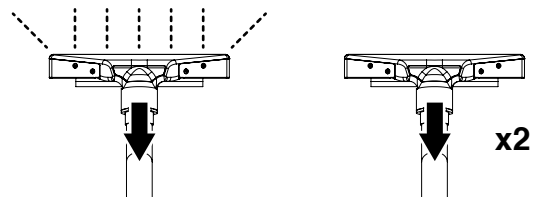
- |                                  |                                       |
|----------------------------------|---------------------------------------|
| 1. Comfort wand grip             | 5. Spray shields                      |
| 2. 2" Titanium tube              | 6. Built-in sight window              |
| 3. Optional height adjustment    | 7. FeatherTouch™ solution spray valve |
| 4. Polished aluminum swivel head |                                       |

## Hooking up the Hoses



After the Vacuum Hose and Solution Hose are attached to the extractor, connect the Solution Hose to the Male Quick Disconnect, and the Vacuum Hose to wand tube.

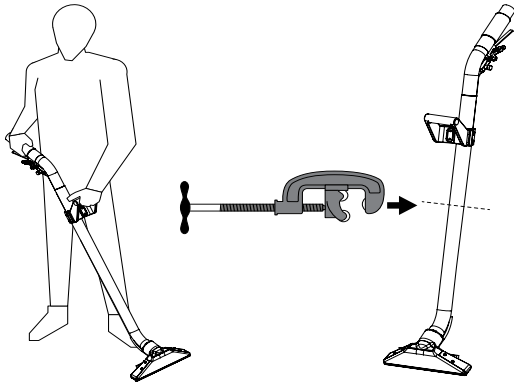
## Cleaning with the Bentley™



We recommend one wet pass followed by two dry passes. If using a heated extractor, this allows the machine to heat up more solution.

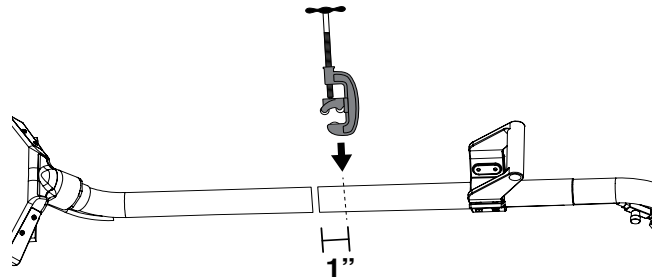
# Size Adjustment Guide

## Step 1



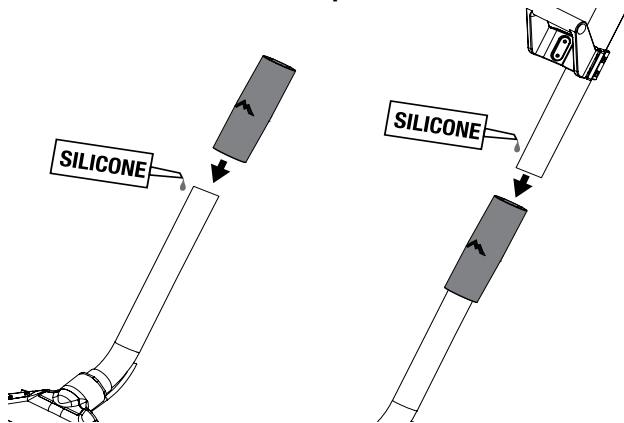
Try the wand for size to decide how much tubing you want to cut off. Proceed to cut the wand tube in half using a tube cutter tool.

## Step 2



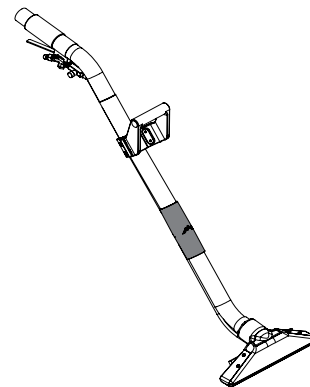
Begin to cut your wand to fit your height. **Cut the tubing in 1" increments until you get the right size wand for you. Remember: measure twice, cut once!**

## Step 3



Once you find the right measurements for you, attach the tube coupler. Glue on the included coupler using either a 2-part epoxy (for a more permanent hold) or a silicone adhesive (which can be broken apart at a later date if desired). **Use enough adhesive to provide an airtight seal and prevent suction loss.**

## Step 4



Allow the adhesive to dry completely before first use. Refer to the manufacturer's instructions for drying times.

## Wand Sizing Chart

The measurements in this chart are guidelines only. Keep in mind that people vary in height and arm length. We recommend cutting the tubing in 1" increments until you get the right size wand for you. **Important: Miscut tubing cannot be replaced and will void tubing warranty.**

### Quick Tip: Solution Hose

After your wand has been resized, you can simply tie back any slack solution hose, or you can have the solution hose modified by a local hose company.

### What should I use to cut the tubing?

Use a tubing cutter like the one pictured here. Refer to the tubing cutter's manual for instructions on how to use.



## Operator Height

## Cut Tubing

5'8" - 5'10"

Cut off:  
Approx. 8"

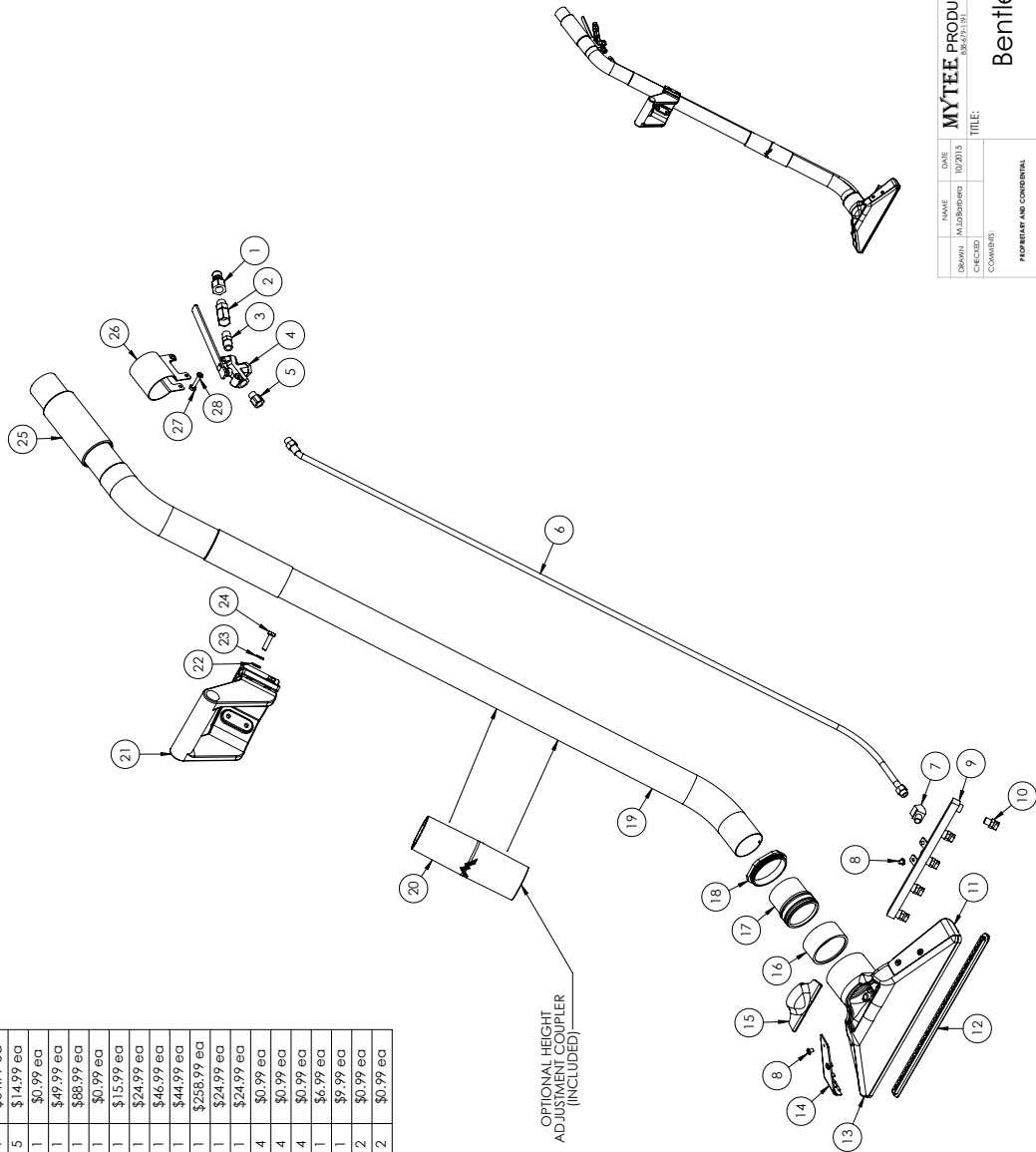
5'10" - 6'1"

Cut off:  
Approx. 4"

# Parts List & Pricing

REVISIONS			
REV.	DESCRIPTION	DATE	APPROVED
OD	ORIGINAL DRAFT	10/20/2015	JFL

ITEM NO.	PART NO.	DESCRIPTION	QTY.	MSRP
1	B101	qd. brass, 1/4" m	1	\$6.49 ea
2	B247	in-line filter 100 mesh, 1/4"NPT M x F	1	\$13.99 ea
3	B107	ripple, brass, 1/4" m, hex	1	\$3.19 ea
4	B133-A	valve, brass, K. w/ trigger for wands	1	\$30.99 ea
5	B646	adapter, 1/4" mpt x 1/8" fpt	1	\$5.99 ea
6	AH137	sol hose, 1/8" x 49', 1/8 mpt x 1/8 mpt	1	\$45.99 ea
7	B657	elbow, 45 deg street, 1/8" mpt x 1/8" fpt	1	\$4.99 ea
8	H233	screw, 10-32 x 1/4", phill pan, s/s	6	\$0.99 ea
9	H354B	spraybar, bentley II	1	\$64.99 ea
10	B162	jet, 1/8" vvi 1002, stainless	5	\$14.99 ea
11	F588	sprayguard, left, Bentley	1	\$0.99 ea
12	H066A	glide, 1/4", bentley II	1	\$49.99 ea
13	H599A	manifold, vacuum, 1/4" bentley II	1	\$66.99 ea
14	F589	sprayguard, right, Bentley	1	\$0.99 ea
15	F595	window, sight, Bentley II	1	\$15.99 ea
16	H751A	bushing, swivel, bentley II	1	\$24.99 ea
17	H606A	swivel, 2", bentley	1	\$46.99 ea
18	H753A	nut, swivel, bentley II	1	\$44.99 ea
19	H597T	tube, titanium, Bentley	1	\$258.99 ea
20	H199	coupler, 2", wand tube	1	\$24.99 ea
21	H600	grip, 2", dia, wand	1	\$24.99 ea
22	H210	washer, 1/4" flat, s/s	4	\$0.99 ea
23	H213	washer, 1/4" lock, s/s	4	\$0.99 ea
24	H342	bolt, 1/4-20 x 1" hex head, s/s	4	\$0.99 ea
25	G049	comfort sleeve, 2" dia, plastisol	1	\$6.99 ea
26	H319	clamp, valve, 2"	1	\$9.99 ea
27	H458	nut, lock, 10-32 thin, nylon insert	2	\$0.99 ea
28	H231	screw, 10-32 x 1" phill pan head, s/s	2	\$0.99 ea



NAME	DATE	MYTEE PRODUCTS, INC.
DRAWN: M.LaRocca	10/2015	306.647.12
CHECKED:		TITLE:
COMMENTS:		
PROPERTY AND CONFIDENTIAL		
REPRODUCTION OR DISSEMINATION IN THIS DRAWING IS PROHIBITED WITHOUT THE WRITTEN PERMISSION OF MYTEE PRODUCTS, INC. © 2015		
SIZE	DWG. NO.	REV.
C	8314T	OD
SCALE: 1:12		SHEET 1 OF 1