

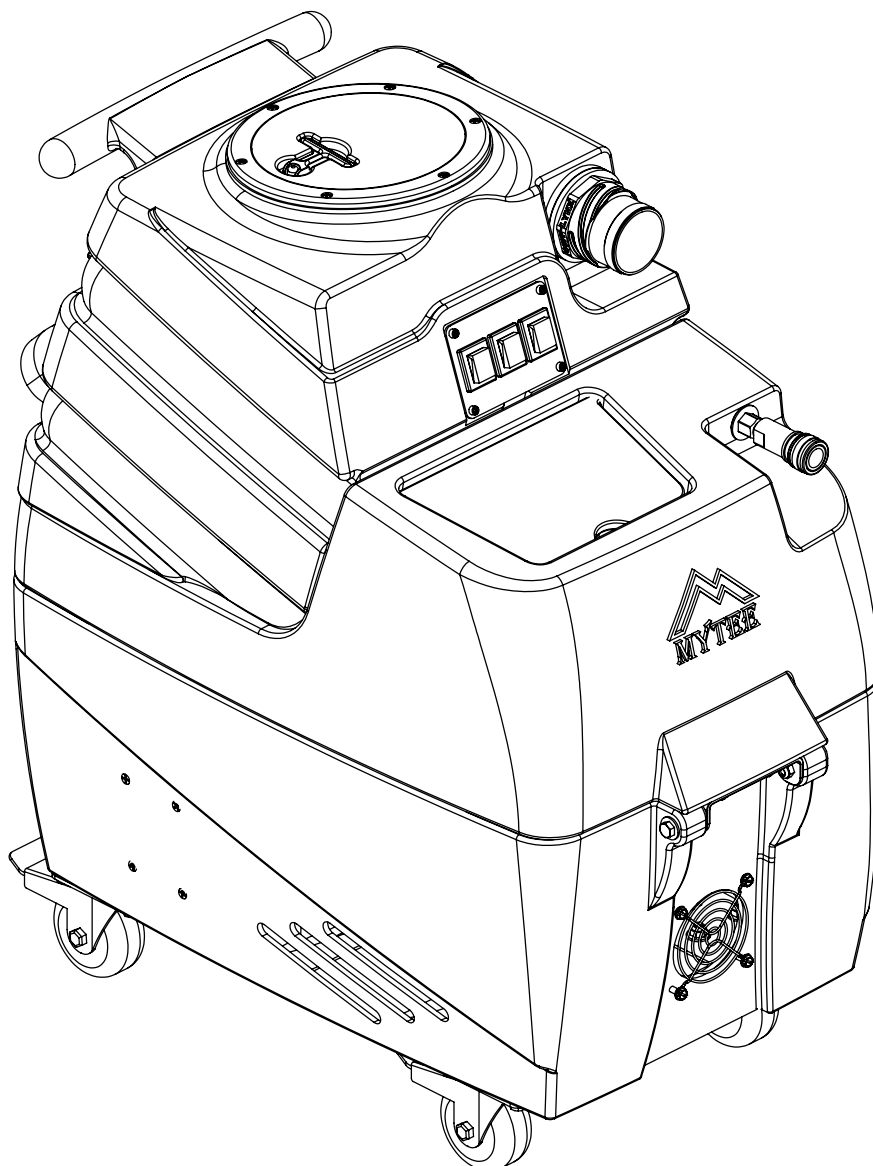
Instructions for HP60 Spyder™



Please read before use.



Register your product
at <http://www.mytee.com/support/register>



[General Information p. 2](#)

[Features p. 5](#)

[Operation p. 6](#)

[Parts & Pricing p. 8](#)

[Wiring Diagram p. 10](#)

Model # _____

Serial # _____

Form # ADP-HP60

9-16

GENERAL INFORMATION

Dear Customer:

Congratulations on the purchase of your new HP60 Spyder™. As you are already aware, the scene of the equipment world is becoming more high tech, and we at Mytee Products Inc. strive to keep you on the cutting edge with superior quality and technology.

Keep in mind that the HP60 Spyder™ is a machine, so neglect or abuse will cause unnecessary damage and void the warranty. However with simple maintenance the HP60 will give quality performance for many years to come.

If warranty questions arise, please consult your user manual or get in touch with your distributor. If you have questions about maintenance, replacing parts or ordering parts, please call an authorized Mytee Products Inc. Service Center. To see an updated list, visit our website at www.mytee.com

Before you begin cleaning, please read your manual thoroughly.

Sincerely,
Mytee Customer Care Dept.

Grounding Instructions

This machine must be grounded. If it should malfunction or breakdown, grounding provides a path of least resistance for electrical shock. This machine is equipped with a cord having an equipment-grounding conductor and grounding plug. The plug must be plugged into an appropriate outlet that is properly installed in accordance with all local code and ordinances. Do not remove ground pin; if missing, replace plug before use.



DANGER

Improper connection of the equipment-grounding conductor can result in a risk of electric shock. Check with a qualified electrician or service person if you are in doubt as to whether the outlet is properly grounded. Do not modify the plug provided with the machine. If it will not fit the outlet, have a proper outlet installed by a qualified electrician.

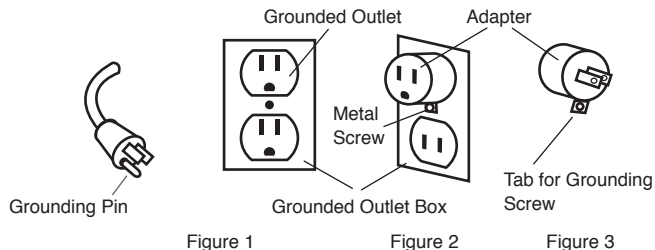
This appliance is for use on a nominal 120-volt circuit, and has a grounding plug that looks like the plug illustrated in Figure 1 below. A temporary adapter illustrated in Figures 2 and 3 may be used to connect this plug to a 2-pole receptacle as shown in Figure 2 if a properly grounded outlet is not available. The temporary adapter should be used only until a properly grounded outlet (Figure 1) can be installed by a qualified electrician. The green colored rigid ear, tab or the like extending from the adapter must be connected to a permanent ground such as a properly grounded outlet box cover. Whenever the adapter is used, it must be held in place by a metal screw. Grounding adapters are not approved for use in Canada.

Replace the plug if the grounding pin is damaged or broken.

The Green (or GreenYellow) wire in the cord is the grounding wire. When replacing a plug, this wire must be attached to the grounding pin only.

DO NOT use extension cords.

Please Note for America use only



Parts and Service

Repairs, when required, should be performed by Mytee service personnel or Mytee authorized Service Center using Mytee original replacement parts and accessories. Call Mytee for repair parts or service. Please specify the Model and Serial Number when discussing your machine.

Name Plate

The Model and Serial Number of your machine are shown on the Nameplate on the back panel of the machine. This information is needed when ordering repair parts for the machine. Use the space provided on the front cover to note the Model and Serial Number of your machine for future reference.

Unpacking the Machine

When the machine is delivered, carefully inspect the shipping carton and the machine for damage. If damage is evident, save the shipping carton so that it can be inspected by the carrier that delivered it. Contact the carrier immediately to file a freight damage claim.

Caution and Warnings

Symbols

Mytee uses the symbols below to signal potentially dangerous conditions. Always read this information carefully and take the necessary steps to protect personnel and property.



DANGER

Is used to warn of immediate hazards that will cause severe personal injury or death.



WARNING

Is used to call attention to a situation that could cause severe personal injury.



CAUTION

Is used to call attention to a situation that could cause minor personal injury or damage to the machine or other property. When using an electrical appliance, basic precautions should always be followed, including the following: Read all instructions before using this machine. This product is intended for commercial use only.



WARNING

To reduce the risk of fire, electrical shock, or injury:

1. Read all instructions before using equipment.
2. Use only as described in this manual. Use only manufacturer's recommended attachments.
3. Always unplug power cord from electrical outlet before attempting any adjustments or repairs.
4. Do not unplug by pulling on cord. To unplug, grasp the plug, not the cord.
5. Do not pull or carry by cord. Do not close a door on cord or pull cord around sharp edges or corners.
6. Do not run appliance over cord. Keep cord away from heated surfaces.
7. Do not use with damaged cord or plug. If cord is damaged, repair immediately.
8. Do not use outdoors or on wet surfaces and or standing water.
9. Always unplug or disconnect the appliance from power supply when not in use.
10. Do not allow to be used as a toy. Close attention is necessary when used by or near children.
11. Do not use in areas where flammable or combustible material may be present.
12. Do not leave the unit exposed to harsh weather elements. Temperatures below freezing may damage components and void warranty.
13. Use only the appropriate handles to move and lift unit. Do not use any other parts of this machine for this purpose.
14. Keep hair, loose clothing, fingers, and all parts of the body away from all openings and moving parts.
15. Use extra care when cleaning on stairs.
16. To reduce the risk of fire or electric shock, do not use this machine with a solid-state speed control device.
17. The voltage and frequency indicated on the name plate must correspond to the wall receptacle supply voltage.
18. When cleaning and servicing the machine, local or national regulations may apply to the safe disposal of liquids which may contain: chemicals, grease, oil, acid, alkalines, or other dangerous liquids.
19. Do not leave operating unattended.

Filling the Solution Tank

1. Fill the solution tank with the approved cleaning solution.
2. Do not fill up the solution tank completely: 1" should be left free at the top.
3. Typically, the solution should be a mixture of water and a cleaning chemical appropriate for the type of job.
4. Always follow the dilution instructions on the chemical container label.
5. The temperature of the cleaning solution must not exceed 70°C/160°F.



CAUTION

Use only non-flammable liquid in this machine.

Setup

1. Open lid of solution tank. Fill solution with water or approved cleaning agent. For best results, fill with warm water (140°).



WARNING

Flammable materials can cause an explosion or fire. Do not use flammable solutions or materials in tank(s).

FOR SAFETY: When using machine, follow mixing and handling instructions on chemical containers.

ATTENTION: If using powdered cleaning chemicals, mix prior to adding.

2. Attach solution hose (located front of machine). NOTE: Make sure the quick disconnect snap together firmly. As you do this, always inspect hoses for cracks or fraying. Do not use if hoses are damaged.
3. Attach other end of solution hose to wand.
4. Attach vacuum hose to recovery tank.
5. Plug machine's cord into a grounded wall outlet. FOR SAFETY: Do not operate machine unless cord is properly grounded. FOR SAFETY: Do not operate machine with the use of an extension cord.
6. Turn on pump. Key tool until you have a steady flow.
7. Release tool trigger. Turn on heater.
8. Wait 8–10 minutes for unit to pre-heat.
9. Re-key upholstery tool until hot water begins flowing.
10. Once hot water is flowing, release trigger and pre-heat an additional 4–5 minutes.
11. Turn on vacuum motor.
12. Begin cleaning. Make two dry passes to every wet pass.
13. For floor cleaning, unplug tool and attach floor wand.
14. Work away from cords to avoid damage.
15. Use a defoamer in your recovery tank.
16. To clean heavily soiled areas, repeat cleaning from different directions.
17. When float shuts off vacuum, empty tanks.
18. When work is complete, unplug cords and hoses.
19. Wrap and clean hoses. Clean all tanks.

Pre-Operation

1. Vacuum carpet and upholstery and remove other debris.
2. Perform machine setup procedures.
3. Inspect power cord for damage.

Operation

1. Turn the pump switch on.
2. Squeeze the trigger on the tool to release air in the line. Hold until a steady flow of water comes out of the tool.
3. Once the pump is primed and there is pressure in the solution line, turn on the heater switch and wait a few minutes for water to heat up.
4. Once water is heated, turn on vacuum and begin cleaning.

Note: When cleaning upholstery, always check manufacturer's cleaning instructions.



CAUTION

1. Work away from outlet and power cord to prevent cord damage.
2. Use a recommended foam control solution in the recovery tank to prevent vacuum motor damage. Periodically check for excessive foam buildup in solution tank, and recovery tank.
3. To clean heavily soiled areas, repeat cleaning path from different direction.
4. When ball float shuts off vacuum, it is time to empty the dirty water from the recovery tank, and refill solution tank.
5. After cleaning, relieve water pressure from tool before disconnecting hose. Squeeze trigger for five seconds after turning main power switch off.

After Use

1. Unplug.
2. Empty solution tank and rinse it with clean water.
3. Inspect hoses and replace if damaged.
4. Inspect solution filter. Clean or replace if damaged.
5. Store the machine in a clean, dry place.
6. Open recovery tank cover to promote air circulation.

Maintenance Schedule

Maintenance item	Daily	Once a week
Clean and inspect tanks	x	
Clean and inspect hoses	x	
Check filters	x	
Check power supply cable	x	
Clean machine with all purpose cleaner and cloth	x	
Check spray nozzles		x
Flush solution system with Mytee System Maintainer		x
Remove and clean float shut-off screen from tank		x
Inspect vacuum hoses for holes and loose cuffs		x

Troubleshooting

There is no power.

- Plug the machine into proper outlets.
- Check the circuit breaker. Other devices should not run on the same circuit as the extractor. Use a 20 amp outlet.

Pump does not work properly.

- Make sure solution line quick disconnects are properly connected.
- Check Solution tank. May be empty.
- Jets may be clogged. Remove jet and flush clean.
- Filters clogged. Remove filters, clean and flush with water.
- Heater may be partially blocked. Flush system with System Maintainer.
- Inspect the heater check valve. Replace if necessary.
- Check pump wire(s). Reconnect or replace when necessary.
- Check panel actuation switch. Replace if faulty.
- Worn pump motor brushes (if equipped). Replace pump motor.
- Refer to relevant in-depth troubleshooting information in "Technical Support" section of Mytee website for specific pump type. <http://www.mytee.com/support/>.

Heater does not function.

- Check manual sensor on heater (reset by pressing button on sensor). Replace if non-functional.
- Check automatic sensor. Check for continuity when cool. Replace if found faulty.
- Heating element may have failed. Replace. Check using ammeter when heater is engaged independently.
- Reconnect heater wire, if disconnected.
- Refer to relevant in-depth troubleshooting information in "Technical Support" section of Mytee website. <http://www.mytee.com/support/>.

Vacuum motor does not function properly.

- Check that all vacuum hoses are tightly connected.
- Close recovery tank drain valve completely.
- Hose/tool blockage or leakage. Repair or unblock the tool or hose.
- Secure the vacuum tank lid tightly.
- Grinding noise from blower indicates impeller failure from debris, dry vacuuming, and over filling/foaming. Replace vacuum motor.
- Worn motor brushes. Replace vacuum motor.

THE FOLLOWING APPLIES TO BRAND NEW MACHINES:

Pump system will not flow water.

- The system could be vapor locked, which results from activating the heater before the pump. Release pent-up pressure by removing extractor outlet disconnect, or by depressing the disconnect inner poppet valve using a dull plastic object (such as a pen). Resume operation, using proper technique outlined beginning on page 6.
- Check outlet disconnect. Remove to test. Replace if necessary.
- Hanging heater check valve. Remove hose to heater check valve, and manually manipulate the internal valve poppet ball with straightened paper clip. Replace hose to test. Replace faulty check valve (B108).

Unit is tripping circuit breaker(s).

- Ensure that only a 20 amp circuit is being used.
- Use only a cord approved for the machine.
- Do not add any extension cords to those cords supplied for use with extractor.
- Faulty component may be drawing excessive amperage. Check each component separately.

Faulty circuit breaker at site. Use another outlet.

Accessories (optional)

2200 Airmover
 3601 System Maintainer
 2700 Mytee-Dry
 8700 Crevice Tool

GENERAL INFORMATION

Machine Specifications

Solution Tank	5 gallons (approx.)
Recovery Tank	5 gallons
Vacuum	Single 3-stage low amp
CFM	100
Water Lift	130"
Pump PSI	120
Pump GPM	1.3
Heater	1,200W - 210° max.
Power Consumption	20 amps @ 115V 60Hz
Machine Weight	69 lbs.
Machine Dimensions	25" x 15.5" x 29.5"
Power Cord	25' 12/3

230V Configuration Information

Model Number	HP60-230
Power Consumption	10 amps @ 230V 60Hz/50Hz

FAQs

Q: What comes standard with the HP60?

A: The HP60 comes with a hose hanger (H375), a 25' 12/3 Cord, 15' 1-1/4" Vacuum/Solution Hose (8501), Cuff-Lynx™ 1-1/4" reducer (H122) and a 3" Stainless Steel Upholstery Tool (8400).

Q: Does Mytee recommend a tool for the machine?

A: A variety of tools can be used with the unit, including our 8390 wand, 8700 crevice tool, and 8400 upholstery tool.

Q: Where do I plug the machine in?

A: The HP60 requires a 20A grounded circuit. Please note: GFI outlets may trip before the breaker setting.

Q: Are the pumps re-buildable for the HP60?

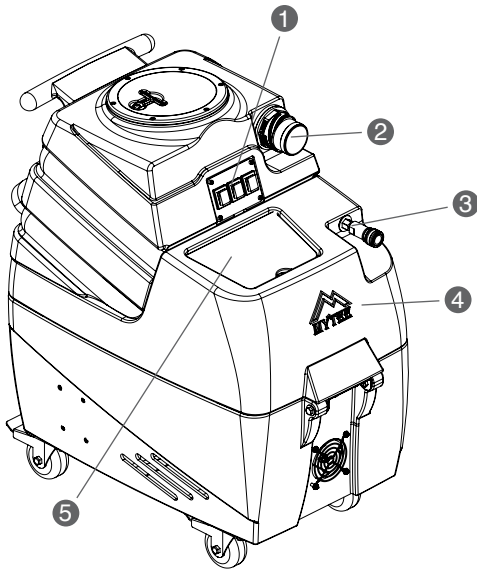
A: Yes, both the seals and the pistons have repair kits available. Please see the pump manual that shipped with your machine for the maintenance schedule.

Q: Is there anything I can do to increase the expected life of my machine?

A: Running the vacuum motors with the tank empty and lid off will allow excess moisture in the vacs to dry off. You should also run a System Maintainer through the system to keep the hoses, pump, and heater clean and free of debris.

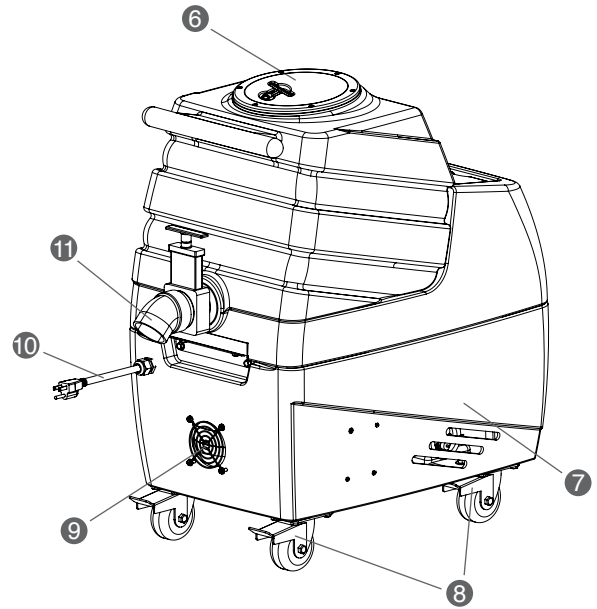
HP60 SPYDER™ FEATURES

FRONT



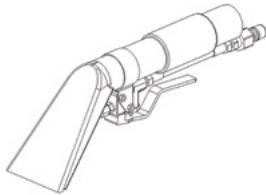
- 1. Waist high controls
- 2. 2" Male Cuff-Lynx™
- 3. Female quick disconnect
- 4. Solution tank
- 5. Solution tank lid

BACK

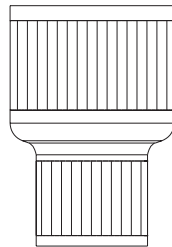


- 6. Easy open lid
- 7. Motor base housing
- 8. Locking casters
- 9. Vent guard
- 10. Single 25' power cord
- 11. Bucket-high drain valve

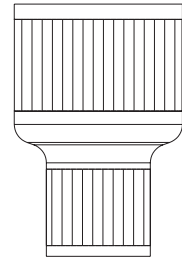
ACCESSORIES



8400 4" Stainless Steel Upholstery Tool



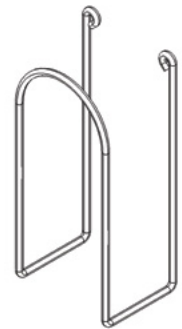
H141 Cuff-Lynx™ 1.5" Reducer



H122 Cuff-Lynx™ 1.25" Reducer



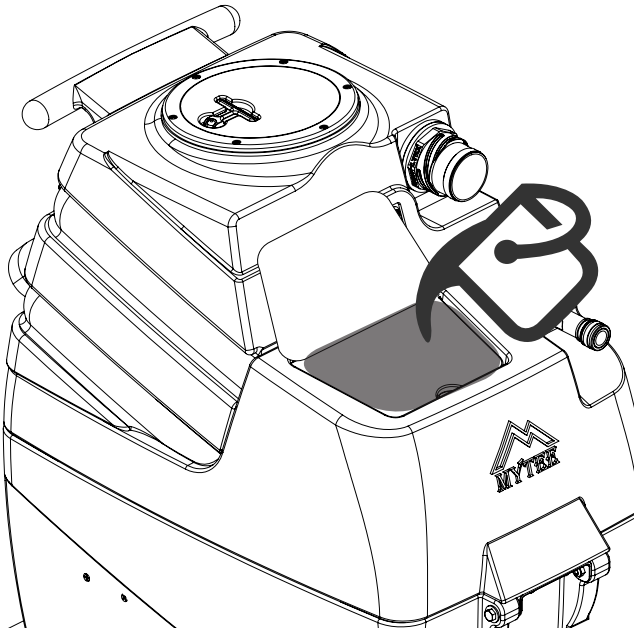
8501 15' x 1.25" Hose-n-Hose™ Vac / Sol Hose Combo



H375 Hose Hanger & 2 Screws

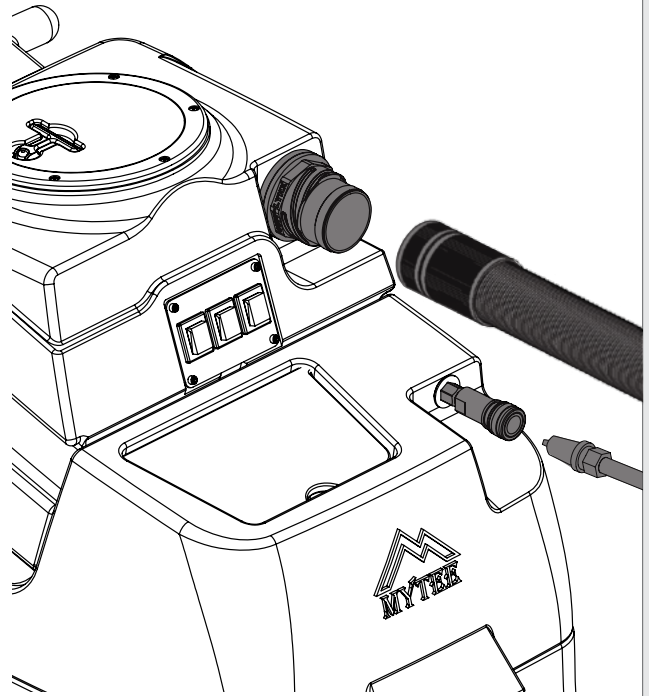
HP60 SPYDER™ OPERATION

FILL SOLUTION TANK



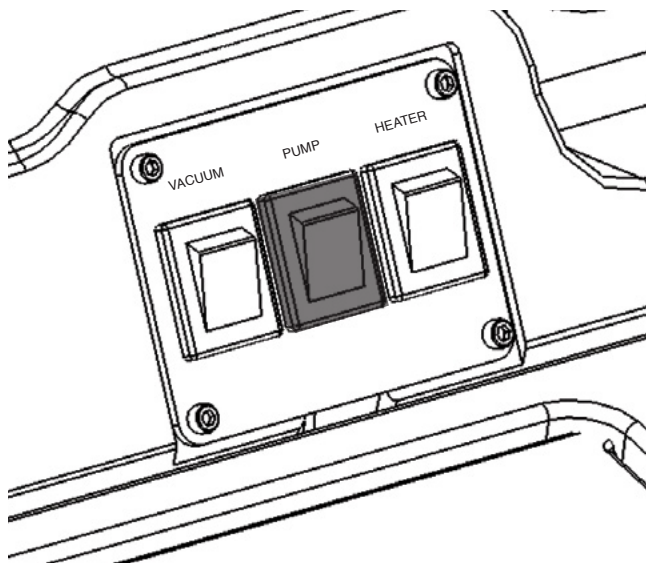
Lift lid to fill. For best results, fill with warm water (140° F).

ATTACH HOSES



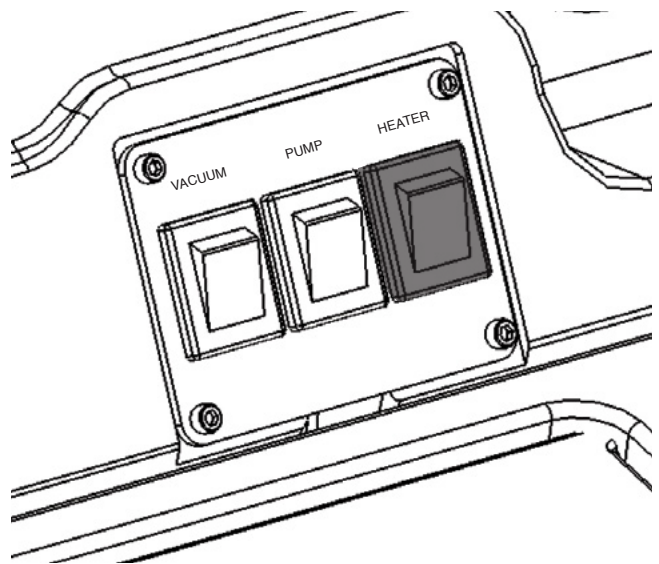
Attach one end of a solution hose to a wand or other tool, the other end to the Spyder's™ front quick disconnect. Attach one end of a vacuum hose to the tool, the other end to the Spyder's™ Cuff-Lynx™ vacuum hose port.

PUMP



After the machine has been plugged into a 20 amp grounded outlet, turn on pump. Squeeze the trigger on the tool until it releases a steady flow.

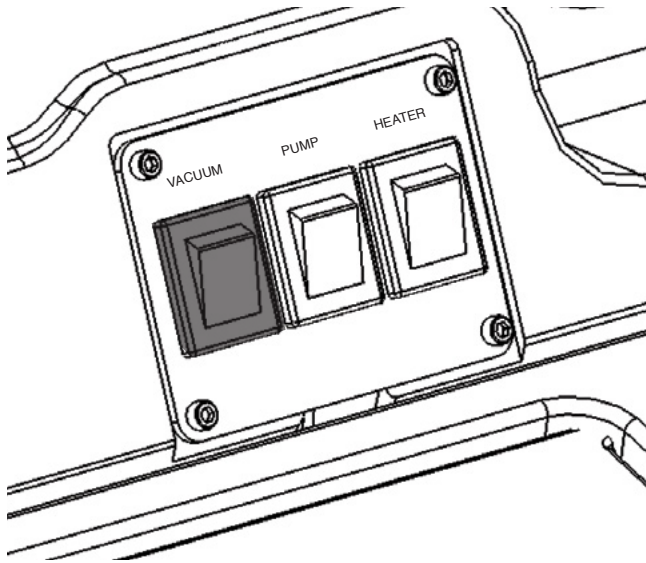
HEATER



Release tool trigger. Turn on heater. Wait 8 – 10 minutes for unit to pre-heat. Once heated, re-key upholstery tool until hot water begins flowing. Once hot water is flowing, release trigger and pre-heat an additional 4 – 5 minutes.

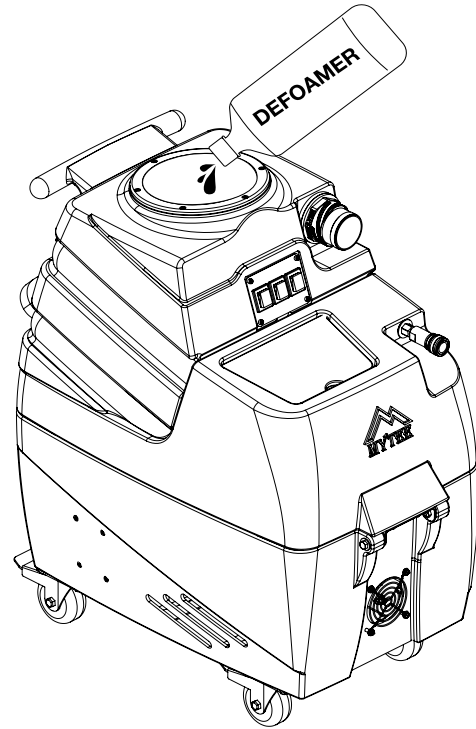
HP60 SPYDER™ OPERATION

VACUUM MOTOR



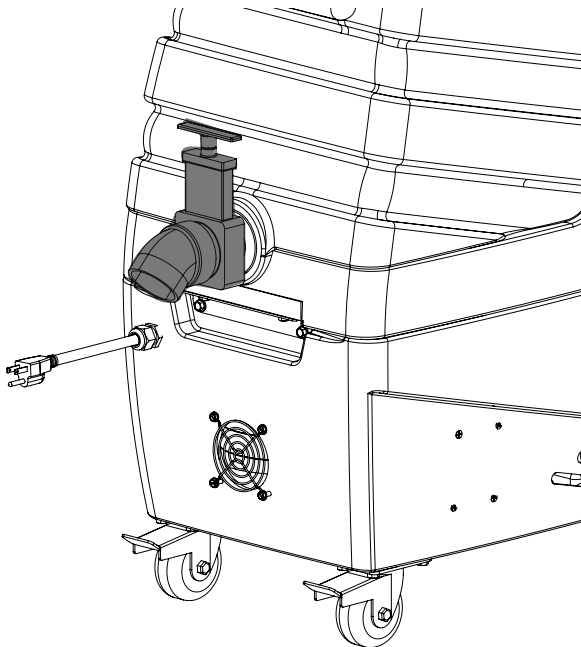
Turn on vacuum motor and begin cleaning. For best results make two dry passes to every wet pass.

RECOVERY TANK



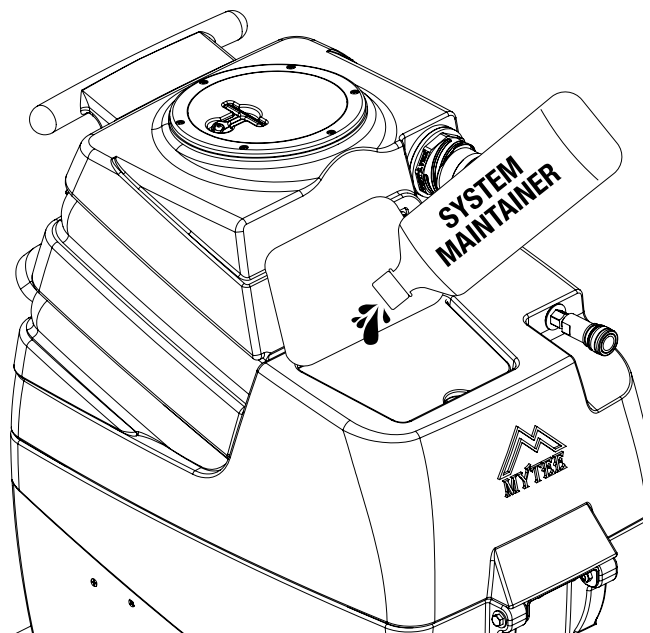
Add a defoamer in the recovery tank to reduce foam, prolonging the life of the Spyder™ vacuum motor .

45 DEGREE SPOUT DRAIN



When the float shuts off vacuum, empty tank. Pull lever located at the back of the machine to release water.

MYTEE® SYSTEM MAINTAINER



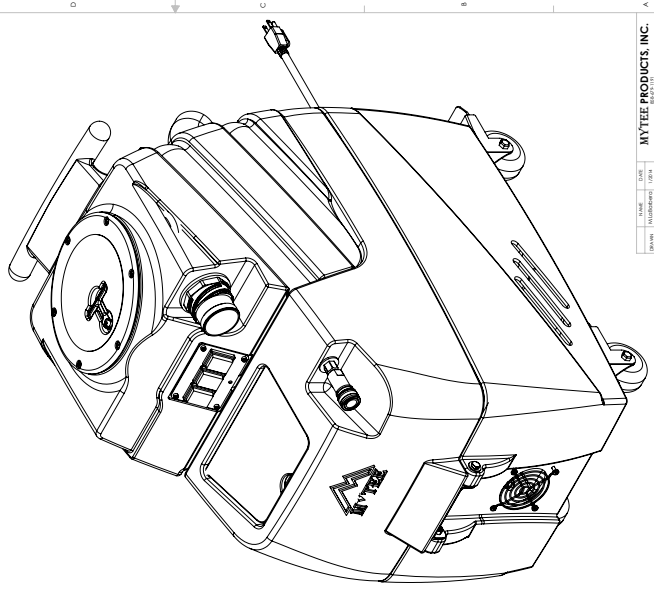
Weekly flushing of the solution system with Mytee® System Maintainer helps keep lines clean and prevents chemical build-up, improving pump life, performance and pressure.

HP60 SPYDER™ PARTS & PRICING

ITEM NO.	PART NO.	DESCRIPTION	QTY.	MSRP
1	H273	nut, imp. #10-32 zinc	6	\$0.99 ea
2	H256	screw, 10-32 x 3/4 phl pan head, zinc	2	\$0.99 ea
3	H528	bracket, header mounting, dual	1	\$29.99 ea
4	E571	heating rod, 600W, 115V	2	\$49.99 ea
5	H274	screw, 6 x 3/16, phl pan head, self-tapping	10	\$0.99 ea
6	E574	Thermostat, 310F ± 10F, Manual, 1/4"	2	\$17.99 ea
7	E573	Thermostat, 200° Auto, 1/4"	2	\$16.49 ea
8	H83A	header, aluminum cast, single	2	\$78.99 ea
9	B103	elbow, brass, 90 deg, 1/4"mp x 1/4" tpi	6	\$4.49 ea
10	AH105	sol hose, 1/4" x 24 1/2", (OAL), 1 x bw, 3000psi	1	\$26.49 ea
11	AH156	hose, 3/8" x 65", (OAL), 1 x bw, 5400 Gwy	1	\$23.99 ea
12	B207	elbow, brass, 90 deg, 1/4" tpi x 1/4" tpi	1	\$5.99 ea
13	B108	valve, brass, 1/4" check	1	\$13.99 ea
14	AH184	hose, 3/8" x 14 1/2", (OAL), 1 surge	1	\$27.99 ea
15	B452	elbow, brass, 90 deg, 3/8"mp x 1/4"mp	1	\$8.49 ea
16	C305	pump, 120 psi, 115V	1	\$151.99 ea
17	H210	washer, 1/4" flat, s/s	24	\$0.99 ea
18	H186	screw, 10-32 x 3/4, phl flat head	4	\$0.99 ea
19	B172	elbow, brass, 90 deg, 1/2" barb x 3/8"mp	2	\$9.49 ea
20	B173	female, 1/2" barb	2	\$0.99 ea
21	PH45-20	sol hose, 1/2" wvl 100psi	1	\$8.99/ft
22	B160	adapter, brass, 1/2" barb x 3/8" hw, ball end	1	\$3.49 ea
23	E531	power cord, end, 25', 12/3 black	1	\$52.99 ea
24	H220	flipping, train rail cord	1	\$3.19 ea
25	H221	nut, lock, 1/2", steel	1	\$1.99 ea
26	P791	box, spyder	1	\$106.99 ea
27	H304	screw, 8 x 5/8", phl end, s/s	15	\$2.99 ea
28	H296	guard, cooling fan, wire	2	\$0.99 ea
29	H235	Cuff-Lynx, 2" m cuff x 2" mpd	1	\$3.99 ea
30	H216	nut, lock, 1/4-20 x 1" hex head, s/s	18	\$0.99 ea
31	H342	ball, 1/4-20 x 1" hex head, s/s	16	\$0.99 ea
32	H467	carrier, 3" black, hd, Gwy thread	4	\$14.99 ea
33	P792	sol tank, spyder	1	\$103.99 ea
34	H215	nut, lock, 1/4-20 x 1/2"	1	\$0.99 ea
35	H213	washer, 1/4" flat, lock, s/s	3	\$0.99 ea
36	H214	washer, 1/4" flat, lock, s/s	2	\$0.99 ea
37	G522	washer, 1/4" x 1/2" x 3/16	2	\$1.99 ea
38	P853	bolts, 1/4-20 x 1 1/2, s/s x 3/16	2	\$0.99 ea
39	P853	bolts, 1/4-20 x 1 1/4, flared head, s/s	1	\$1.02 ea
40	H316	bolts, 1/4-20 x 1 1/2, hex head, s/s	2	\$0.99 ea
41	H379	bracket, front, small	1	\$3.99 ea
42	H501	bolts, 1/4-20 x 1/2, hex head, zinc	2	\$0.99 ea
43	B119	flar, anelastar, 1/4"	1	\$3.99 ea
44	H572	flat washer, 9/16 x 1 1/8 OD, AN962-2516	6	\$0.99 ea
45	B107	nipples, brass, 1/4"m, hex	3	\$3.19 ea
46	B105	baning, brass, 3/8"mp x 1/4"	1	\$3.19 ea
47	B102	sol. brass, 1/4" x 1/4" tpi	1	\$1.99 ea
48	B111	adapter, brass, anelastar, 1/4"mp x 1/4" tpi, hex	1	\$8.49 ea
49	AH157	hose, 3/8" x 7" (OAL), 1 x 1 surge, 1600psi	1	\$25.99 ea
50	H170	bolts, 1/4-20 x 1 1/2, anelastar hex, zinc	8	\$0.99 ea
51	H307	washer, star, 1/4" steel zinc	2	\$0.99 ea
52	H972	bracket, rear, fibery	1	\$7.99 ea
53	P793	vac tank, spyder	1	\$17.99 ea
54	H314	nut, lock, 1-1/2", steel	1	\$1.99 ea
55	F320	adapter, PVC, 1-1/2" mp x 1 1/2" fls	1	\$2.99 ea
56	PH453-4	PPE, PVC, 1-1/2" x 7 1/2" LG.	1	\$4.99/ft
57	H297	screw, 8 x 1 1/2", flared head, zinc	3	\$0.99 ea
58	P755	elbow, U, 1/80, 1-1/2", flared	1	\$8.99 ea
59	H490	foot, 27" 1.5" ball s/hle	1	\$19.99 ea
60	C090	lid, vac tank, clear, 7"	1	\$36.99 ea
61	C091	gasket, 7", vac lid	1	\$11.99 ea
62	A926	elbow, inlet assembly, 2"	1	\$15.99 ea
63	H225	valve, drain, 1-1/2"	1	\$20.99 ea
64	H226	spout, drain, 45 degree	1	\$3.19 ea
65	H390A	bracket, L	2	\$6.99 ea
66	C059	exhaust boot, plastic	1	\$4.99 ea
67	H217	clamp, hose, 2-1/4 dia	1	\$1.49 ea

ITEMS NOT SHOWN:

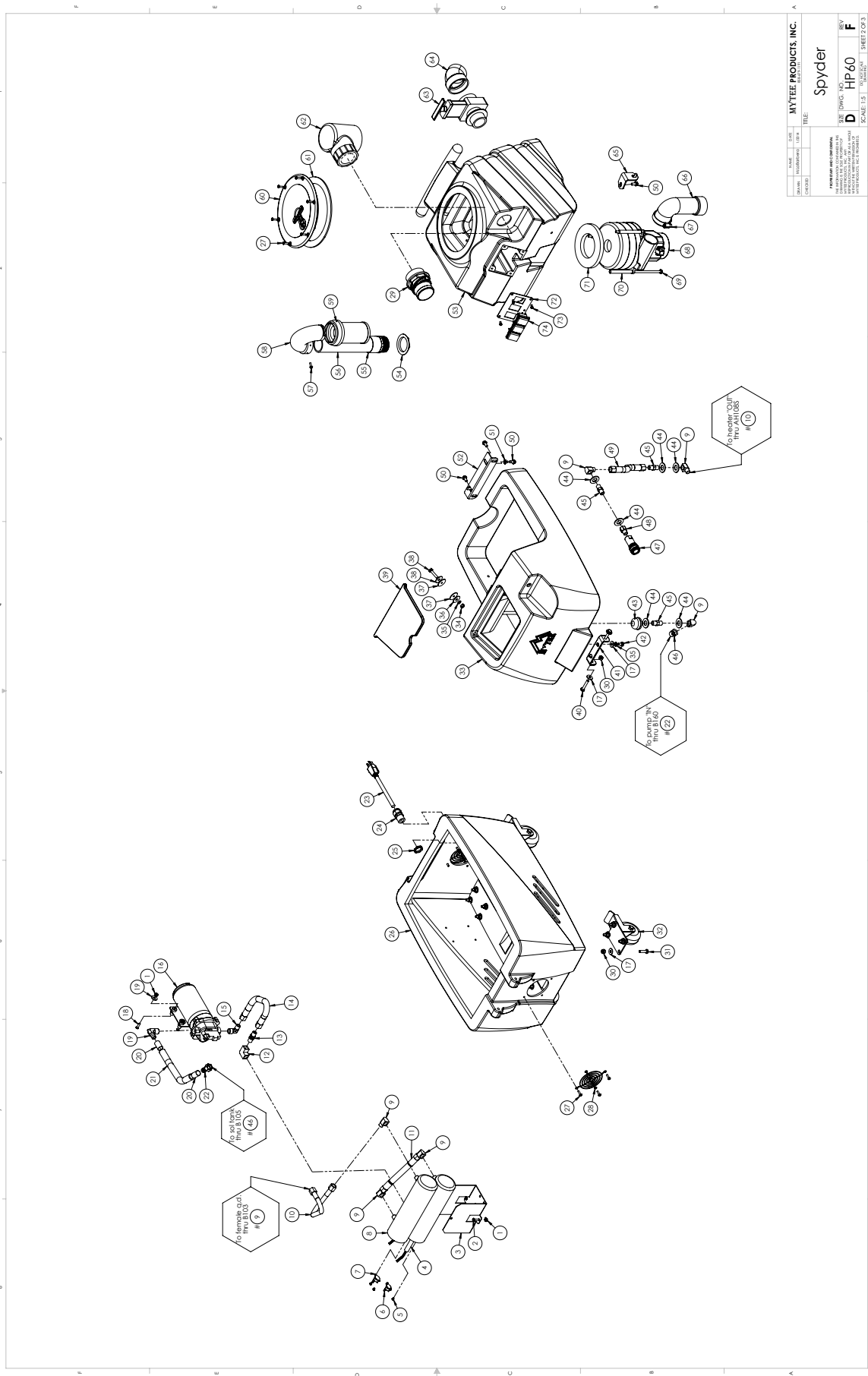
PART NO.	DESCRIPTION	QTY.	MSRP
ADM-HP60	manuka, spyder	1	\$23.99 ea
A958	hose, electric, black	1	\$6.29 pack
C098	paper filter	1	\$1.09 ea
H375	hanger, wire, formed, hose	1	\$2.99 ea
G079	hose, wren, heat guard	2	\$0.99 ea
H220	screw, 10-32 x 1/2, phl pan head, s/s	2	\$0.99 ea
A925	sol hose, paglal, 1/8 x 7 1/2	1	\$14.99 ea
B101	quick disconnect, male, 1/4" male x 1/4" tpi	2	\$8.49 ea
H282	tool, wph, s/w w/valve	1	\$68.99 ea
H101	hose, vac, 1.5" x 1 1/4" w/ 1/2" black cuffs	1	\$44.99 ea
AH136	sol hose, 1.5" x 1.5", 1/8"mp x 1/4" mpd	1	\$17.99 ea
B102	quick disconnect, 1/4" female x 1/4" tpi	1	\$1.99 ea
B104	baning, hex, 1/4" mpd x 1/8" tpi	2	\$7.99 ea
H133	Cuff-Lynx, 1-1/4" hose x male & female	2	\$3.99 ea
H122	Cuff-Lynx, 1-1/2" hose cuff x 2" female cuff	1	\$3.99 ea
F590	cuffs, 1/4" rad, standard pack of 2	1	\$2.99 ea



MYTEE PRODUCTS, INC.
 11111 S. 111th St., Suite 100
 Omaha, NE 68148
 TEL: 402.491.1111
 FAX: 402.491.1112
 WWW.MYTEE.COM
HP60
 SCALE: 1:3
 SHEET 023

Part prices are subject to change.

HP60 SPYDER™ PARTS & PRICING

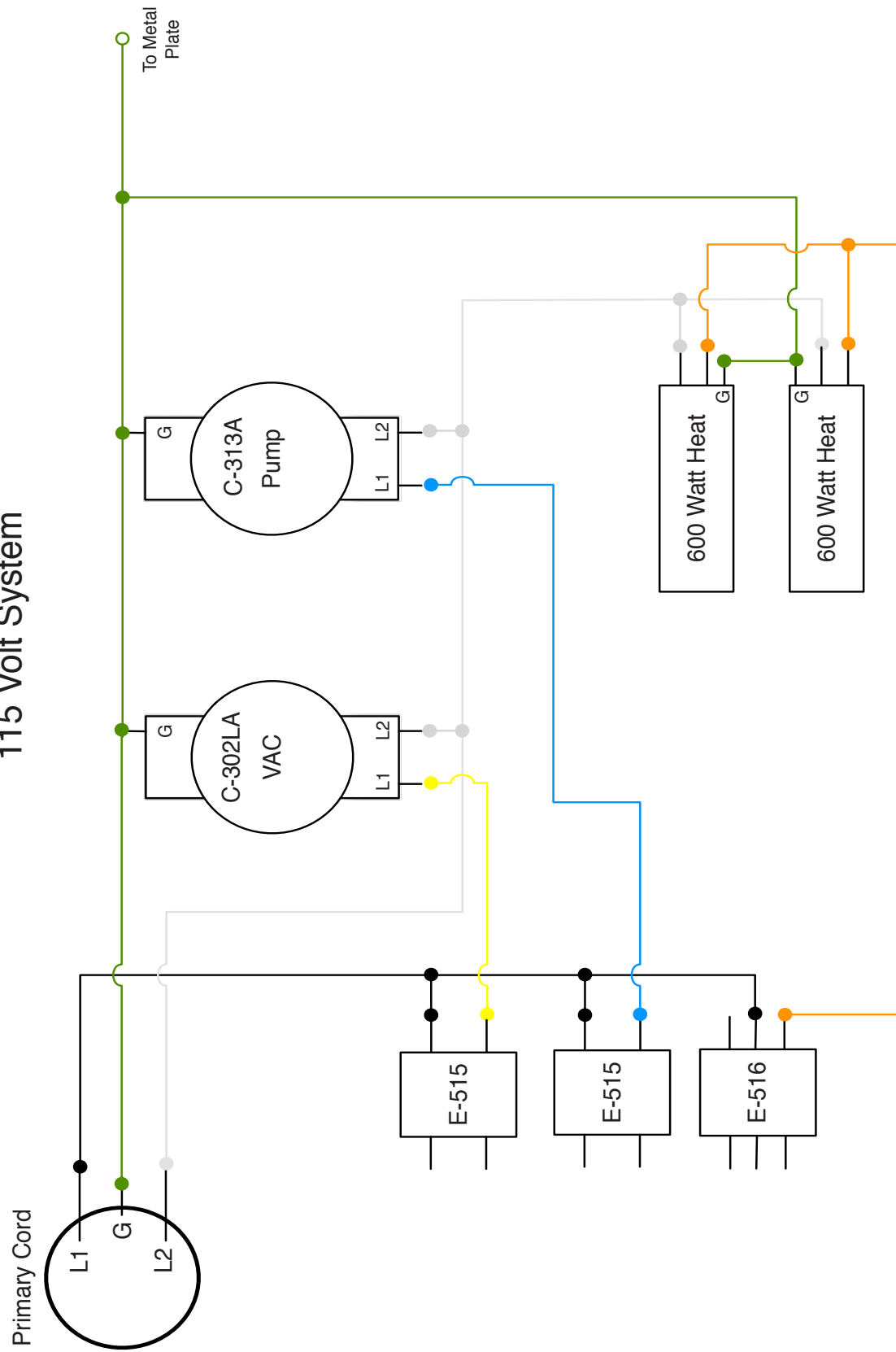


NAME	DATE	BY	REV
DATE	11/11/2010	1011	
SCALE	1:1		

MYTEE PRODUCTS, INC.
Spyder
HP60
F
 SHEET 1 OF 1

HP60 SPYDER™ WIRING DIAGRAM

HP-60 115 Volt System



NOTES



Mytee Products Inc.
13655 Stowe Dr.
Poway, CA 92064
www.mytee.com

© 2016 Mytee Products Inc.
Printed in the U.S.A.